



**Ersatzteilliste Quadro**  
*Parts List Cultivator Quadro*  
*Pièces de rechange Quadro*



Bis Seriennummer **205 599**

**Köckerling GmbH & Co. KG**  
**Lindenstraße 11-13**  
**33415 Verl**  
**Telefon: 05246 9608-0**  
**Fax: 05246 9608-21**  
**Internet: [www.koeckerling.de](http://www.koeckerling.de)**  
**e-mail: [info@koeckerling.de](mailto:info@koeckerling.de)**



# Inhaltsverzeichnis

Seite

*Content*

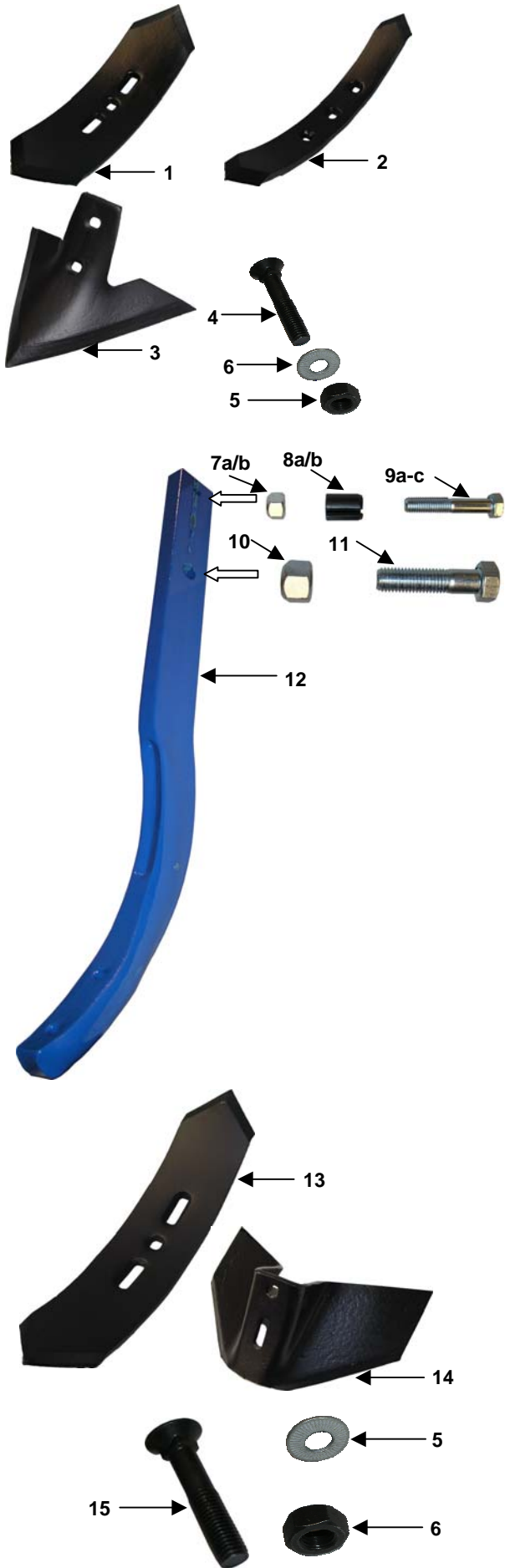
Page

*Contenu*

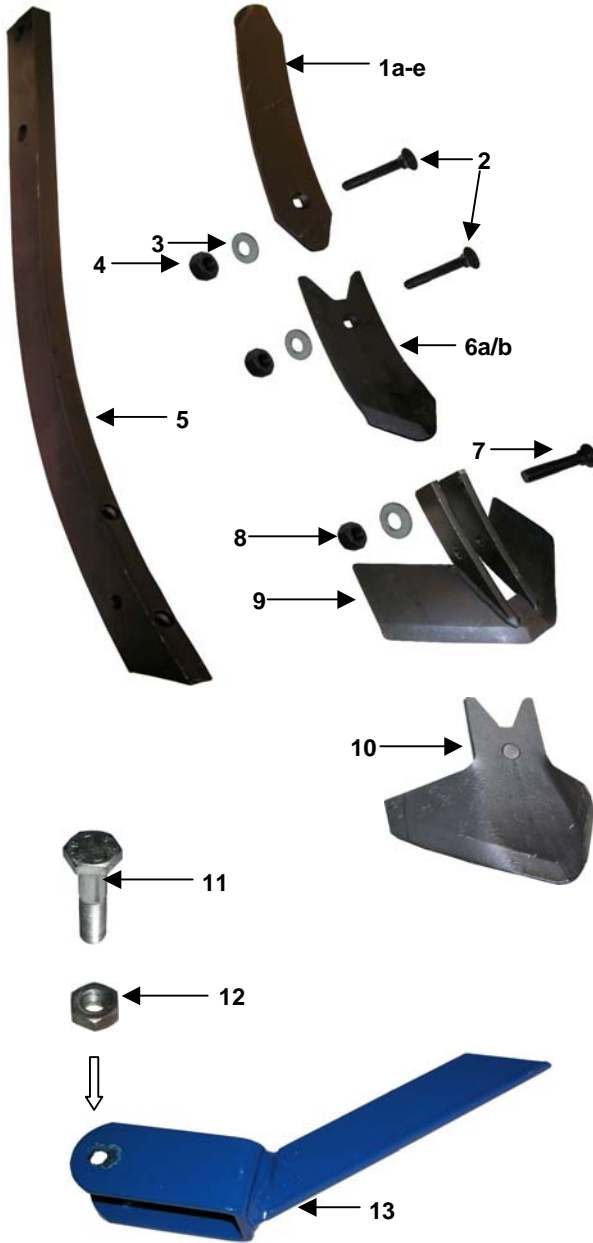
Page

|                                      |           |
|--------------------------------------|-----------|
| <b>Schare</b>                        | <b>1</b>  |
| <i>Points</i>                        |           |
| <i>Socs</i>                          |           |
| <b>SGF - Einheit</b>                 | <b>3</b>  |
| <i>Tine adjustment</i>               |           |
| <i>Support de tige</i>               |           |
| <b>Anhängung</b>                     | <b>4</b>  |
| <i>Drawbar-head</i>                  |           |
| <i>Attelage</i>                      |           |
| <b>Deichsel</b>                      | <b>6</b>  |
| <i>Drawbar</i>                       |           |
| <i>Flèche</i>                        |           |
| <b>Stützradachse / Stützrad</b>      | <b>7</b>  |
| <i>Depth wheel axle /Depth wheel</i> |           |
| <i>Jambage de roue de profondeur</i> |           |
| <b>Fahrwerk</b>                      | <b>8</b>  |
| <i>Undercarriage</i>                 |           |
| <i>Châssis</i>                       |           |
| <b>Nivellator</b>                    | <b>9</b>  |
| <i>Leveller</i>                      |           |
| <i>Niveleur</i>                      |           |
| <b>Beleuchtung</b>                   | <b>10</b> |
| <i>Lightening</i>                    |           |
| <i>Eclairage</i>                     |           |
| <b>STS Walze</b>                     | <b>11</b> |
| <i>STS roller</i>                    |           |
| <i>STS rouleau</i>                   |           |
| <b>Nachstriegel</b>                  | <b>13</b> |
| <i>Seedbed tine</i>                  |           |
| <i>Peigne</i>                        |           |
| <b>Anbauarm</b>                      | <b>16</b> |
| <i>Arm for roller</i>                |           |
| <i>Bras pour rouleau</i>             |           |
| <b>Hangscheibe</b>                   | <b>18</b> |
| <i>Track disc</i>                    |           |
| <i>Coutre de dévers</i>              |           |
| <b>Druckluftbremse</b>               | <b>20</b> |
| <i>Brake</i>                         |           |
| <i>Frein</i>                         |           |

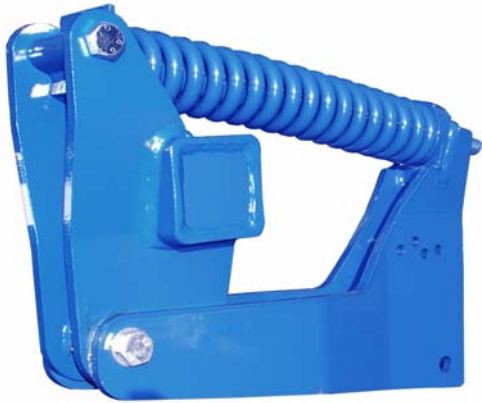
|  |           |
|--|-----------|
| <b>Levelboard</b>  | <b>22</b> |
| <i>Levelboard</i>  |           |
| <i>Levelboard</i>  |           |
| <b>Hydraulikplan Quadro 3,00m</b>                          | <b>23</b> |
| <i>Hydraulic plan Quadro 3,00m</i>                         |           |
| <i>Plan d'hydraulique Quadro 3,00m</i>                     |           |
| <b>Hydraulikplan Quadro Drillbox 3,00m und 5,70m</b>       | <b>24</b> |
| <i>Hydraulic plan Quadro 3,00m and 5,70m</i>               |           |
| <i>Plan d'hydraulique Quadro 3,00m et 5,70m</i>            |           |
| <b>Hydraulikplan Quadro 4,60m-5,70m</b>                    | <b>25</b> |
| <i>Hydraulic plan Quadro 4,60m-5,70m</i>                   |           |
| <i>Plan d'hydraulique Quadro 4,60m-5,70m</i>               |           |
| <b>Hydraulikplan Quadro Anhängewalze CWA</b>               | <b>26</b> |
| <i>Hydraulic plan CWA</i>                                  |           |
| <i>Plan d'hydraulique CWA</i>                              |           |
| <b>Hydraulikplan Quadro 8m Klappung</b>                    | <b>28</b> |
| <i>Hydraulic plan Quadro 8,00m folding</i>                 |           |
| <i>Plan d'hydraulique Quadro 8,00m rabatement</i>          |           |
| <b>Hydraulikplan Quadro 8,00m Deichsel/Fahrwerk</b>        | <b>29</b> |
| <i>Hydraulic plan Quadro 8,00m</i>                         |           |
| <i>Plan d'hydraulique Quadro 8,00m</i>                     |           |
| <b>Hydraulikplan Quadro 4,20m-5,20m CWA Walze Fahrwerk</b> | <b>30</b> |
| <i>Hydraulic plan Quadro 4,20m-5,20m CWA</i>               |           |
| <i>Plan d'hydraulique Quadro 4,20m-5,20m CWA</i>           |           |
| <b>Hydraulikplan Quadro 4,20m-5,20m CWA Walze Klappung</b> | <b>31</b> |
| <i>Hydraulic plan Quadro 4,20m-5,20m CWA</i>               |           |
| <i>Plan d'hydraulique Quadro 4,20m-5,20m CWA</i>           |           |
| <b>Spuranzeiger</b>  | <b>33</b> |
| <i>Tram liner</i>  |           |
| <i>Traceur</i>   |           |



| Pos. | Art. Nr. | Bezeichnung  |
|------|----------|--|
| 1    | 900835   | Super-Breitschar 130 x 12mm                            |
| 1    | 900835   | Points 130 x 12mm                                      |
| 1    | 900835   | Soc réversible 130 x 12mm plat                         |
| 2    | 506008   | Schmalschar 60 x 16mm                                  |
| 2    | 506008   | Points 60 x 16mm                                       |
| 2    | 506008   | Soc réversible 60 x 16 mm                              |
| 3    | 506150   | Quadro-Gänsefußschar 350x10mm                          |
| 3    | 506150   | Points 310mm   |
| 3    | 506150   | Soc 310mm  |
| 4    | 506202   | Senkkopfschraube M12 x 65mm                            |
| 4    | 506202   | Bolt M12 x 65mm  |
| 4    | 506202   | Vis M 12 x 65mm  |
| 5    | 901626   | Sperrkantscheibe 12                                    |
| 5    | 901626   | Washer 12  |
| 5    | 901626   | Rondelle 12  |
| 6    | 901621   | Mutter M12   |
| 6    | 901621   | Nut M12  |
| 6    | 901621   | Ecrou M12  |
| 7a   | 901618   | Mutter M12 verz.                                       |
| 7a   | 901618   | Nut M12  |
| 7a   | 901618   | Ecrou M12  |
| 7b   | 901620   | Mutter M16   |
| 7b   | 901620   | Nut M16  |
| 7b   | 901620   | Ecrou M16  |
| 8a   | 901655   | Schwerspannstift 20 x 26mm f. Abscherschr. M12         |
| 8a   | 901655   | Roll pin 20 x 26mm                                     |
| 8a   | 901655   | Goupille creuse  |
| 8b   | 901672   | Schwerspannstift 20 x 24mm f. Abscherschr. M16         |
| 8b   | 901672   | Roll pin 20 x 24mm                                     |
| 8b   | 901672   | Goupille creuse 20x24mm                                |
| 9a   | 901718   | Sechskantschraube M12 x 65mm <b>10.9</b> (für Typ SGF) |
| 9a   | 901718   | Bolt M12 x 65mm <b>10.9</b> (for type SGF)             |
| 9a   | 901718   | Vis M12 x 65mm <b>10.9</b> (SGF)                       |
| 9b   | 506052   | Sechskantschraube M12 x 65mm <b>8.8</b> (für Typ SG)   |
| 9b   | 506052   | Bolt M12 x 65mm <b>8.8</b> (for type SG)               |
| 9b   | 506052   | Vis M12 x 65mm <b>8.8</b> (SG)                         |
| 9c   | 901549   | Sechskantschraube M16x70mm                             |
| 9c   | 901549   | Bolt M16x70mm  |
| 9c   | 901549   | Vis M16x70mm   |
| 10   | 901622   | Mutter M20   |
| 10   | 901622   | Nut M20  |
| 10   | 901622   | Ecrou M20  |
| 11   | 904888   | Sechskantschraube M20 x 75mm                           |
| 11   | 904888   | Bolt M20 x 75mm  |
| 11   | 904888   | Vis M20 x 75mm   |
| 12   | 506051   | Scharstiel 60 x 25mm                                   |
| 12   | 506051   | Tine 60 x 25mm   |
| 12   | 506051   | Tige 60 x 25mm   |
| 13   | 506033   | Breitschar 100 x 12mm                                  |
| 13   | 506033   | Points 100 x 12mm                                      |
| 13   | 506033   | Soc 100 x 12mm   |
| 14   | 506023   | 1-teiliges Flügelschar 320mm                           |
| 14   | 506023   | Points 320mm   |
| 14   | 506023   | Soc patte d'oie 320mm                                  |
| 15   | 506204   | Senkkopfschraube M12 x 75mm                            |
| 15   | 506204   | Bolt M12 x 75mm  |
| 15   | 506204   | Vis M 12 x75mm   |



| Pos. | Art. Nr. | Bezeichnung                         |
|------|----------|-------------------------------------|
| 1a   | 506046   | Leitblech 80 x 8 x 425mm            |
| 1a   | 506046   | Upper part of points 80 x 8 x 425mm |
| 1a   | 506046   | Soc en haut 80 x 8 x 425mm          |
| 1b   | 506000   | Leitblech 80x8x425mm rechts         |
| 1b   | 506000   | Soil guide 80x8x425mm right         |
| 1b   | 506000   | Soc en haut 80x8x425mm droite       |
| 1c   | 506001   | Leitblech 80x8x425mm links          |
| 1c   | 506001   | Soil guide 80x8x425mm left          |
| 1c   | 506001   | Soc en haut 80x8x425 mm gauche      |
| 1d   | 506005   | X - Leitblech 80x8x425mm rechts     |
| 1d   | 506005   | X - Soil guide 80x8x425mm right     |
| 1d   | 506005   | X - Soc en haut 80x8x425mm droite   |
| 1e   | 506021   | X - Leitblech 80x8x425mm links      |
| 1e   | 506021   | X - Soil guide 80x8x425mm left      |
| 1e   | 506021   | X - Soc en haut 80x8x425 mm gauche  |
| 2    | 506206   | Senkschraube M12 x 85mm             |
| 2    | 506206   | Bolt M12 x 85mm                     |
| 2    | 506206   | Vis M12 x 85mm                      |
| 3    | 901626   | Sperrkantscheibe 12                 |
| 3    | 901626   | Washer 12                           |
| 3    | 901626   | Rondelle 12                         |
| 4    | 901621   | Mutter M12 blank                    |
| 4    | 901621   | Nut M12                             |
| 4    | 901621   | Ecrout M12                          |
| 5    | 506048   | Zinkenstiel 60 x 25 x 735mm         |
| 5    | 506048   | Tine 60 x 25 x 735mm                |
| 5    | 506048   | Tige 60 x 25 x 735mm                |
| 6a   | 506014   | Scharspitze 100 x 12mm              |
| 6a   | 506014   | Lower part of points 100 x 12mm     |
| 6a   | 506014   | Soc en dessous 100 x 12mm           |
| 6b   | 506064   | Scharspitze 80 x 12mm               |
| 6b   | 506064   | Lower part of points 80 x 12mm      |
| 6b   | 506064   | Soc en dessous 80 x 12mm            |
| 7    | 901528   | Sechskantschraube M12 x 60mm        |
| 7    | 901528   | Bolt M12 x 60mm                     |
| 7    | 901528   | Vis M12 x 60mm                      |
| 8    | 901618   | Mutter M12                          |
| 8    | 901618   | Nut M12                             |
| 8    | 901618   | Ecrout M12                          |
| 9    | 506015   | Flügelschar 310mm                   |
| 9    | 506015   | Points winged 310mm                 |
| 9    | 506015   | soc patte d'oie 310mm               |
| 10   | 506003   | Topmix Gänsefußschar 320x10mm       |
| 10   | 506003   | Points 320mm                        |
| 10   | 506003   | Soc 320mm                           |
| 11   | 901741   | Sechskantschraube M10 x 50mm        |
| 11   | 901741   | Bolt M12 x 65mm                     |
| 11   | 901741   | Vis M12 x 65mm                      |
| 12   | 901617   | Mutter M10                          |
| 12   | 901617   | Nut M10                             |
| 12   | 901617   | Ecrout M10                          |
| 13   | 506028   | Strohabweiser m. Schraube u. Mutter |
| 13   | 506028   | Straw cleaner cpl. w. nut a. bolt   |
| 13   | 506028   | Decrottoir avec vis et ecrou        |



**Pos. Art. Nr. Bezeichnung**

- 1 084246 Unterschwinge
- 1 084246 Lower section of tine holder
- 1 084246 Support de tige
  
- 2 900335 Druckfeder 480mm (bis 01/2006)
- 2 900335 Spring 480mm (until 01/2006)
- 2 900335 Ressort 480mm

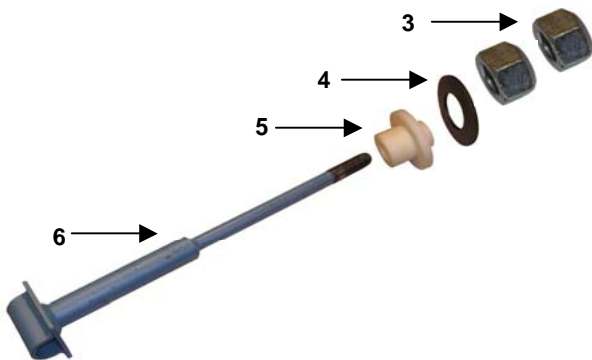
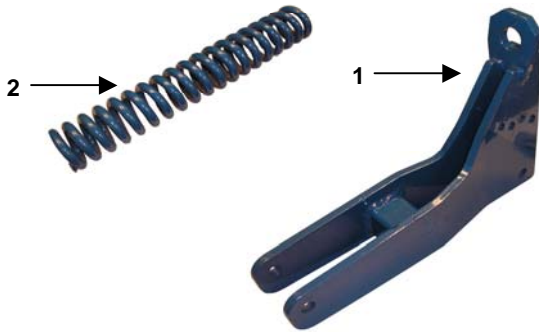
- 3 901610 Mutter M24
- 3 901610 Nut M24
- 3 901610 Ecrou M24

- 4 901674 Tellerfeder 50 x 25mm
- 4 901674 Bevelle washer 50 x 25mm
- 4 901674 Rondelle ressort 50 x 25mm

- 5 900866 Führungsbuchse
- 5 900866 Nylon washer
- 5 900866 Bague de guidage

- 6 084244 SGF-Verbindungsspindel
- 6 084244 Turnbuckle
- 6 084244 Arbre

- 7 084243 SGF - Element kpl. (ab 02/2006)
- 7 084243 SGF - Element cpl. (since 02/2006)
- 7 084243 SGF - Element cpl. (depuis 02/2006)

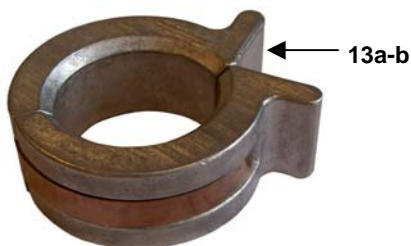
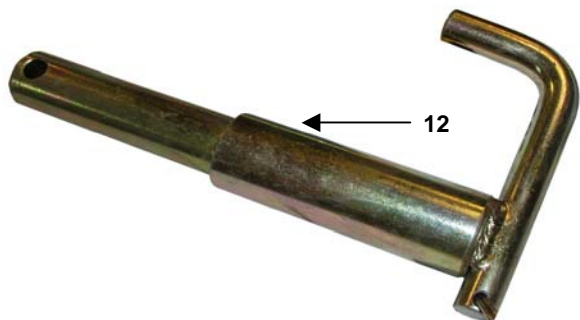
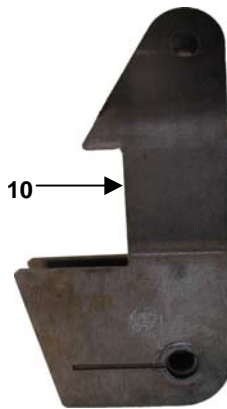
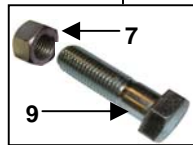
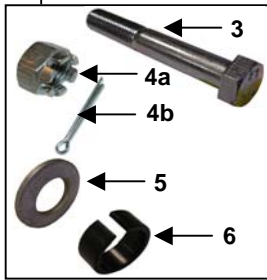
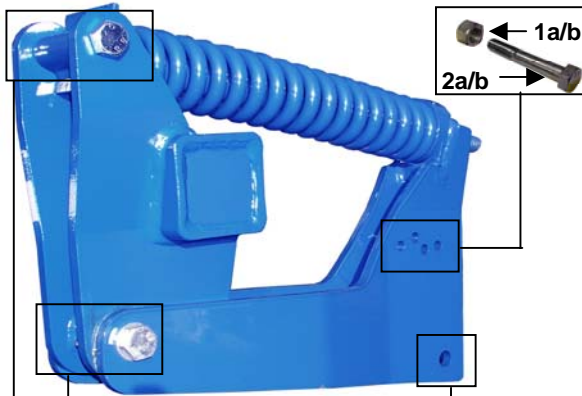


**Neue Version ab 02/2006!**  
**New Version since 02/2006!**



Das SGF - Element kann im Falle eines Defektes nur komplett getauscht werden, da die verwendeten Druckfedern unter sehr hohem Druck montiert werden.

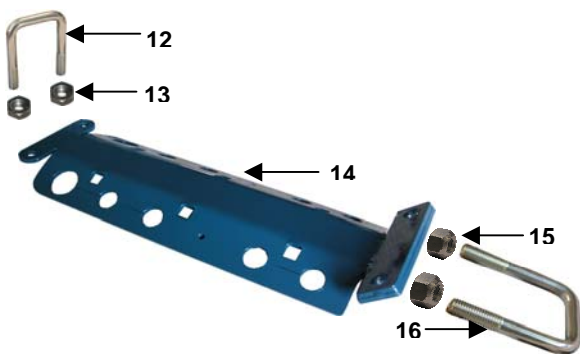
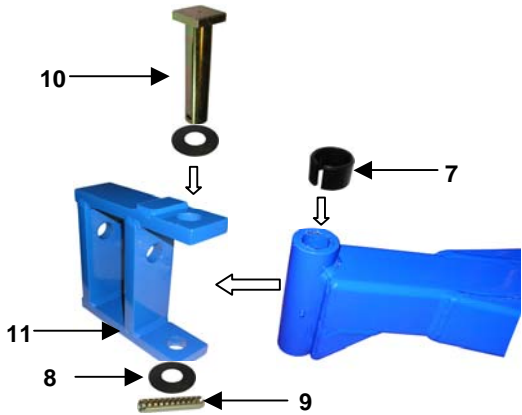
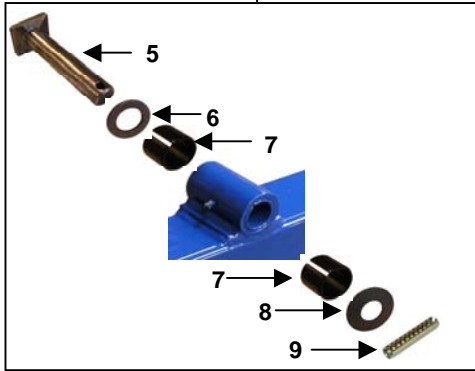
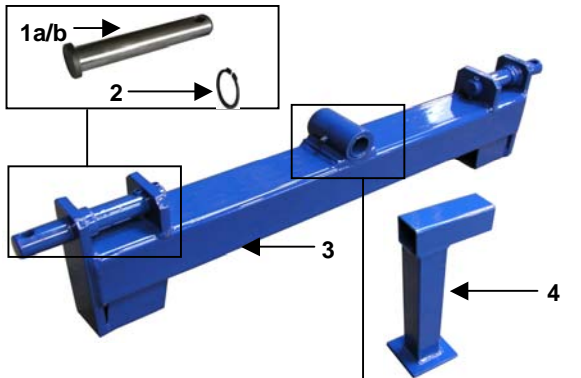




**Pos. Art. Nr. Bezeichnung**

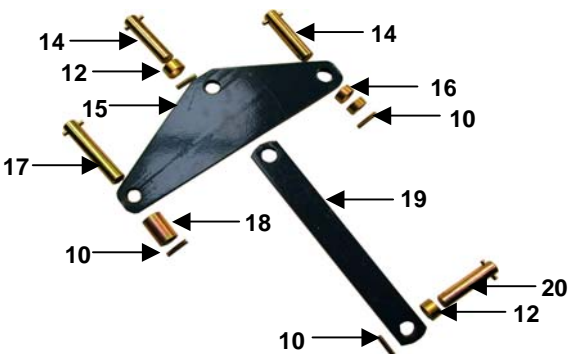
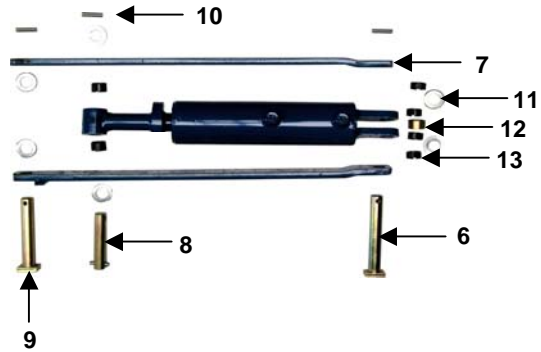
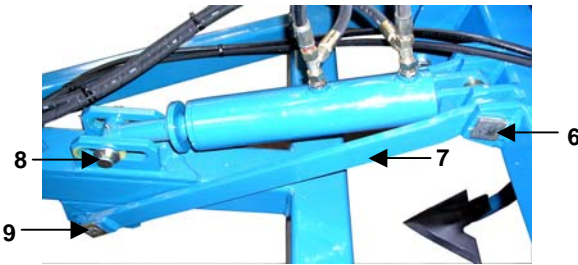
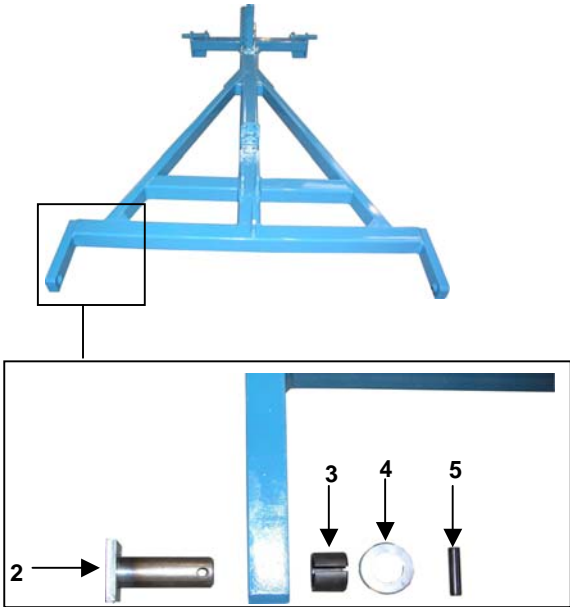
- 1a 901618 Mutter M12
- 1a 901618 Nut M12
- 1a 901618 Ecrou M12
  
- 1b 901620 Mutter M16
- 1b 901620 Nut M16
- 1b 901620 Ecrou M16
  
- 2a 901718 Sechskantschraube M12 x 65mm **10.9**
- 2a 901718 Bolt M12 x 65mm **10.9**
- 2a 901718 Vis M12 x 65mm **10.9**
  
- 2b 901549 Sechskantschraube M16x70mm
- 2b 901549 Bolt M16x70mm
- 2b 901549 Vis M16x70mm
  
- 3 904866 Sechskantschraube M20 x 120mm 10.9 m. Bohrung
- 3 904866 Bolt M20x120mm
- 3 904866 Vis M20 x 120mm
  
- 4a 901225 Kronenmutter m. Splint
- 4a 901225 Castle Nut with pin
- 4a 901225 Ecrou à créneaux avec goupille
  
- 4b 901667 Splint 4,5x40mm
- 4b 901667 Pin 4,5x40mm
- 4b 901667 Goupille 4,5x40mm
  
- 5 901630 Sperrkantscheibe 20mm
- 5 901630 Washer 20mm
- 5 901630 Rondelle 20mm
  
- 6 900191 Einspannbuchse 20/26/12
- 6 900191 Bush
- 6 900191 Bague ressort
  
- 7 901622 Mutter M20
- 7 901622 Nut M20
- 7 901622 Ecrou M20
  
- 8 904884 Sechskantschraube M20 x 140mm
- 8 904884 Bolt M20 x 140mm
- 8 904884 Vis M20 x 140mm
  
- 9 901730 Sechskantschraube M20 x 75mm
- 9 901730 Bolt M20 x 75mm
- 9 901730 Vis M20 x 75mm
  
- 10 506073 Aufnahme Trägerarm zum Anschweißen
- 10 506073 Lower section of tine holder
- 10 506073 Support de tige
  
- 11 904548 Oberlenkerbolzen 25/32mm Kat II u. III
- 11 904548 Pin 25/32mm Kat II and III
- 11 904548 Broche 25/32mm Kat II et III
  
- 12 500112 Unterlenkerbolzen 28/36mm Kat II u. III
- 12 500112 Pin 28/36 Kat II and III
- 12 500112 Broche 28/36mm Kat II et III
  
- 13a 901381 Hydro-Clip 25,4mm
- 13a 901381 Hydro-Clip 25,4mm
- 13a 901381 Hydro-Clip 25,4mm
  
- 13b 901382 Hydro-Clip 38,1mm
- 13b 901382 Hydro-Clip 38,1mm
- 13b 901382 Hydro-Clip 38,1mm
  
- 13c 901383 Hydro-Clip 51mm
- 13c 901383 Hydro-Clip 51mm
- 13c 901383 Hydro-Clip 51mm
  
- 13d 901384 Hydro-Clip 107,7mm
- 13d 901384 Hydro-Clip 107,7mm
- 13d 901384 Hydro-Clip 107,7mm



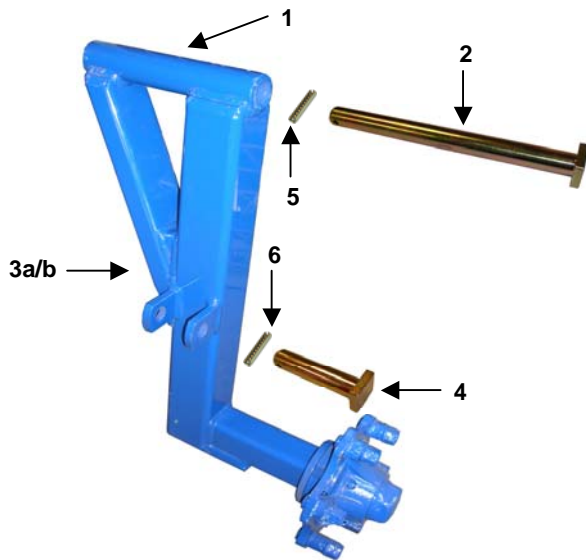


**Pos. Art. Nr. Bezeichnung**

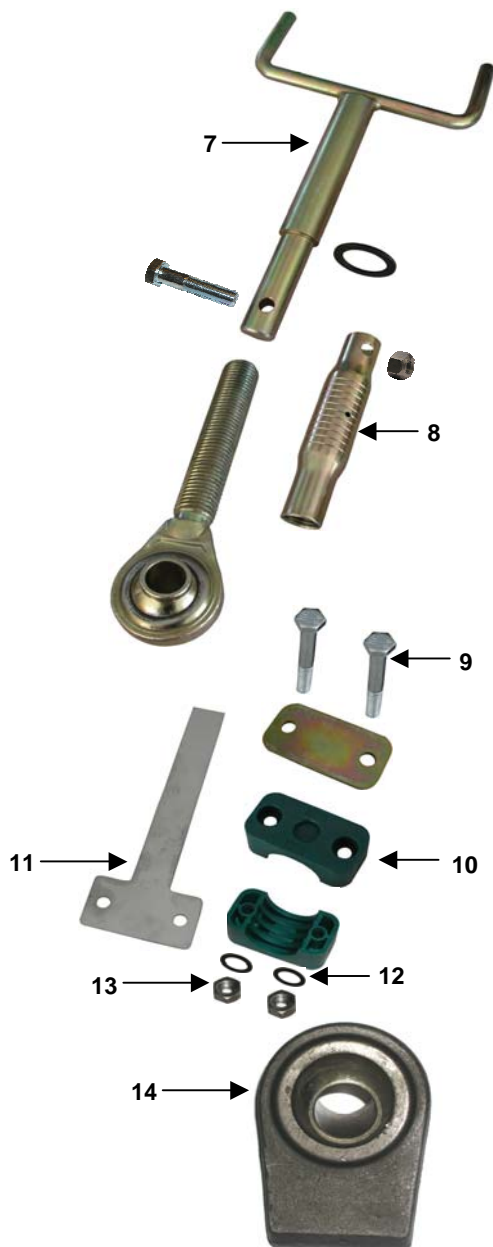
|    |        |   |
|----|--------|---|
| 1a | 903104 | Bolzen 36 x 177; 5x215mm                      |
| 1a | 903104 | Pin 36 x 177; 5x215mm                         |
| 1a | 903104 | Broche 36 x 177; 5x215mm                      |
| 1b | 080419 | Unterlenkerbolzen Kat III für Raupe E75/85/95 |
| 1b | 080419 | Pin Kat III for tracked tractors E75/85/95    |
| 1b | 080419 | Broche pour tracked tractors E75/85/95        |
| 2  | 901400 | Sicherungsring 38mm                           |
| 2  | 901400 | Ring 38mm                                     |
| 2  | 901400 | Circlips 38mm                                 |
| 3  | 630340 | Zugjoch Kat III                               |
| 3  | 630340 | Drawbar linkage KAT III                       |
| 3  | 630340 | Palonnier cat. III                            |
| 4  | 630260 | Abstellstützen                                |
| 4  | 630260 | Parking support                               |
| 4  | 630260 | Béquille                                      |
| 5  | 903099 | Bolzen mit Drehsicherung 36 x 161 x 189mm     |
| 5  | 903099 | Pin 36 x 161 x 189mm                          |
| 5  | 903099 | Axe à tête carrée 36 x 161 x 189mm            |
| 6  | 903541 | Unterlegscheibe D=37mm verzinkt               |
| 6  | 903541 | Washer 37mm                                   |
| 6  | 903541 | Rondelle Ø 37 mm (zinguée)                    |
| 7  | 900190 | Einspannbuchse 36/45/36 Federstahl            |
| 7  | 900190 | Bush 36/45/36                                 |
| 7  | 900190 | Bague ressort 36/45/36                        |
| 8  | 901676 | Tellerfedern 80 x 36 x 3 (Stahl)              |
| 8  | 901676 | Bevelle washer                                |
| 8  | 901676 | Rondelle                                      |
| 9  | 901784 | Schwerspannstift 12 x 60mm                    |
| 9  | 901784 | Roll pin 12 x 60mm                            |
| 9  | 901784 | Goupille creuse 12 x 60mm                     |
| 10 | 903103 | Bolzen mit Drehsicherung 36 x 286 x 314mm     |
| 10 | 903103 | Pin 36 x 286 x 314mm                          |
| 10 | 903103 | Axe à tête carrée 36 x 286 x 314mm            |
| 11 | 630250 | Kreuzgelenk Anhängung                         |
| 11 | 630250 | Drawbar bracket                               |
| 11 | 630250 | Pivot croisé d'attelage                       |
| 12 | 900970 | Bügelschraube 12x81x105mm                     |
| 12 | 900970 | U-Bolt 12x81x105mm                            |
| 12 | 900970 | Bride 12x81x105mm                             |
| 13 | 901618 | Mutter M12 DIN 980                            |
| 13 | 901618 | Nut M12                                       |
| 13 | 901618 | Ecrou M12                                     |
| 14 | 630310 | Schlauchhalter                                |
| 14 | 630310 | Parking bracket for hoses                     |
| 14 | 630310 | Support de conduit flexible                   |
| 15 | 901620 | Mutter M16                                    |
| 15 | 901620 | Nut M16                                       |
| 15 | 901620 | Ecrou M16                                     |
| 16 | 900238 | Bügelschraube 16x101x135mm                    |
| 16 | 900238 | U-Bolt 16x101x135mm                           |
| 16 | 900238 | Bride 16x101x135mm                            |



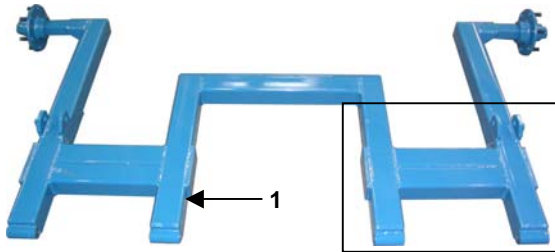
| Pos. | Art. Nr. | Bezeichnung                               |
|------|----------|---|
| 2    | 903076   | Bolzen mit Drehsicherung 28 x 82 x 107mm  |
| 2    | 903076   | Pin 28 x 82 x 107mm                       |
| 2    | 903076   | Axe à tête carrée 28 x 82 x 107mm         |
| 3    | 900984   | Stahlbuchse 28/35/28                      |
| 3    | 900984   | Bush                                      |
| 3    | 900984   | Bagues                                    |
| 4    | 901639   | U-Scheibe 28mm                            |
| 4    | 901639   | Washer 28mm                               |
| 4    | 901639   | Rondelle 28mm                             |
| 5    | 901780   | Schwerspannstift 8 x 50mm                 |
| 5    | 901780   | Roll pin 8 x 50mm                         |
| 5    | 901780   | Goupille creuse 8 x 50mm                  |
| 6    | 903090   | Bolzen mit Drehsicherung 25 x 158 x 183mm |
| 6    | 903090   | Pin 25 x 158 x 183mm                      |
| 6    | 903090   | Axe à tête carrée 25 x 158 x 183mm        |
| 7    | 630330   | Stabilisierungsglasche 765 x 50 x 15mm    |
| 7    | 630330   | Strengthening bracket 765 x 50 x 15mm     |
| 7    | 630330   | Stabilisateur 765 x 50 x 15mm             |
| 8    | 903059   | Bolzen 25 x 97 x 127mm m. Doppelbohrung   |
| 8    | 903059   | Pin 25 x 97 x 127mm                       |
| 8    | 903059   | Broche 25 x 97 x 127mm                    |
| 9    | 903069   | Bolzen mit Drehsicherung 25 x 138 x 163mm |
| 9    | 903069   | Pin 25 x 138 x 163mm                      |
| 9    | 903069   | Axe à tête carrée 25 x 138 x 163mm        |
| 10   | 901778   | Schwerspannstift 8 x 40mm                 |
| 10   | 901778   | Roll pin 8 x 40mm                         |
| 10   | 901778   | Goupille creuse 8 x 40mm                  |
| 11   | 901638   | Unterlegscheibe 25mm                      |
| 11   | 901638   | Washer 25mm                               |
| 11   | 901638   | Rondelle 25mm                             |
| 12   | 084035   | Hülse 18 x 28,3mm                         |
| 12   | 084035   | Distance tube                             |
| 12   | 084035   | Tuyau d'écartement                        |
| 13   | 900197   | Stahlbuchse 25/30/15                      |
| 13   | 900197   | Bush 25/30/15                             |
| 13   | 900197   | Bagues 25/30/15                           |
| 14   | 903056   | Bolzen 25 x 81 x 111mm                    |
| 14   | 903056   | Pin 25 x 81 x 111mm                       |
| 14   | 903056   | Broche 25 x 81 x 111mm                    |
| 15   | 084222   | Gelenkplatte 430 x 150 x 15mm             |
| 15   | 084222   | Plate 430 x 150 x 15mm                    |
| 15   | 084222   | Plaque 430 x 150 x 15mm                   |
| 16   | 084033   | Hülse 15 x 28,3mm                         |
| 16   | 084033   | Distance tube                             |
| 16   | 084033   | Tuyau d'écartement                        |
| 17   | 903065   | Bolzen 25 x 108 x 138mm                   |
| 17   | 903065   | Pin 25 x 108 x 138mm                      |
| 17   | 903065   | Broche 25 x 108 x 138mm                   |
| 18   | 084031   | Hülse 50 x 28,3mm                         |
| 18   | 084031   | Distance tube                             |
| 18   | 084031   | Tuyau d'écartement                        |
| 19   | 084226   | Gelenkglasche 420 x 50 x 15mm             |
| 19   | 084226   | Strengthening bracket 420 x 50 x 15mm     |
| 19   | 084226   | Plaque 420 x 50 x 15mm                    |
| 20   | 903055   | Bolzen 25 x 78 x 108mm                    |
| 20   | 903055   | Pin 25 x 78 x 108mm                       |
| 20   | 903055   | Broche 25 x 78 x 108mm                    |



| Pos. | Art. Nr. | Bezeichnung                               |
|------|----------|---|
| 1    | 903946   | Schmiernippel                             |
| 1    | 903946   | Grease nipple                             |
| 1    | 903946   | Graisneur                                 |
| 2    | 903092   | Bolzen mit Drehsicherung 28 x 296 x 319mm |
| 2    | 903092   | Pin 28 x 296 x 319mm                      |
| 2    | 903092   | Axe à tête carrée 28 x 296 x 319mm        |
| 3a   | 084212   | Stützradhalter Quadro rechts              |
| 3a   | 084212   | Depth wheel arm, right                    |
| 3a   | 084212   | Jambage de roue de jauge droite           |
| 3b   | 084214   | Stützradhalter Quadro links               |
| 3b   | 084214   | Depth wheel arm, left                     |
| 3b   | 084214   | Jambage de roue de jauge gauche           |
| 4    | 903056   | Bolzen mit Drehsicherung 25x81x111mm      |
| 4    | 903056   | Pin 25x81x111mm                           |
| 4    | 903056   | Axe à tête carrée 25x81x111mm             |
| 5    | 901780   | Schwerspannstift 8 x 50mm                 |
| 5    | 901780   | Roll pin 8 x 50mm                         |
| 5    | 901780   | Goupille creuse 8 x 50mm                  |
| 6    | 901778   | Schwerspannstift 8 x 40mm                 |
| 6    | 901778   | Roll pin 8 x 40mm                         |
| 6    | 901778   | Goupille creuse 8 x 40mm                  |



|    |        |  |
|----|--------|--|
| 7  | 905148 | Spindel kpl.                                       |
| 7  | 905148 | Turnbuckle cpl.                                    |
| 7  | 905148 | Arbre cpl.   |
| 8  | 905244 | Spindelrohr Quadro                                 |
| 8  | 905244 | Turnbuckle M30                                     |
| 8  | 905244 | Arbre M30  |
| 9  | 901792 | Sechskantschraube M6 x 50mm                        |
| 9  | 901792 | Bolt M6 x 50mm                                     |
| 9  | 901792 | Vis M6 x 50mm                                      |
| 10 | 900681 | Einrohrschelle d= 30 m. Platte                     |
| 10 | 900681 | Clamp bracket d=30mm with plate                    |
| 10 | 900681 | Bride compl. pour tube Ø 30mm                      |
| 11 | 900980 | Tiefenanzeiger                                     |
| 11 | 900980 | Depth guide  |
| 11 | 900980 | Echelle de réglage                                 |
| 12 | 500027 | Federring M6                                       |
| 12 | 500027 | Washer M6  |
| 12 | 500027 | Rondelle M6  |
| 13 | 901602 | Mutter M6  |
| 13 | 901602 | Nut M6   |
| 13 | 901602 | Ecrout M6  |
| 14 | 900365 | Kugelgelenk 28,7mm m. Platte 70x10x90mm z. Anschw. |
| 14 | 900365 | Turbuckle eye 28,7mm with plate 70x10x90mm         |
| 14 | 900365 | Turbuckle eye 28,7mm with plate 70x10x90mm         |



**Pos. Art. Nr. Bezeichnung**

- 1 084209 Fahrwerk Quadro
- 1 084209 Undercarriage
- 1 084209 Châssis

- 2 903077 Bolzen mit Drehsicherung 28 x 103 x 128mm
- 2 903077 Pin 28 x 103 x 128mm
- 2 903077 Axe à tête carrée 28 x 103 x 128mm

- 3 901780 Schwerspannstift 8 x 50mm
- 3 901780 Roll pin 8 x 50mm
- 3 901780 Goupille creuse 8 x 50mm

- 4 900984 Einspannbuchse 28/35/28
- 4 900984 Bush 28/35/28
- 4 900984 Bague ressort 28/35/28

- 5 903082 Bolzen mit Drehsicherung 28 x 135 x 160mm
- 5 903082 Pin 28 x 135 x 160mm
- 5 903082 Axe à tête carrée 28 x 135 x 160mm

- 6 Bereifung Quadro
- 900686 Fahrwerk ( 3m) 15.0/55-17 12PR
- 900686 Wheel Quadro 3,00m 15.0/55-17 12PR
- 900686 Pneu Quadro 3,00m 15.0/55-17 12PR

- 900688 Fahrwerk ( 4,6m/5,7mm) 19.0/45-17 10PR
- 900688 Wheel Quadro 4,60m/5,70m 19.0/45-17 10PR
- 900688 Pneu Quadro 4,60m/5,70m 19.0/45-17 10PR

- 900686 Stützräder 15.0/55-17 12PR
- 900686 Depth wheel 15.0/55-17 12 PR
- 900686 Roue de profondeur 15.0/55-17 12PR

- 900687 Felge zum Transportrad 15.0/55-17
- 900687 Hub for 15.0/55-17
- 900687 Jante p. 15.0/55-17

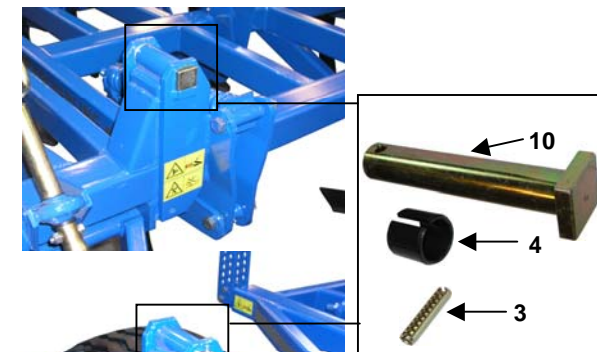
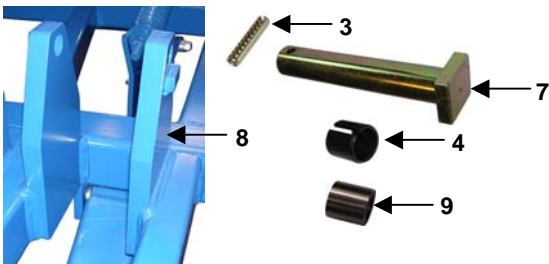
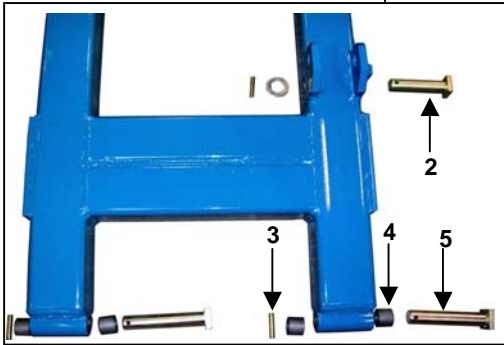
- 903703 Felge zum Transportrad 19.0/45-17
- 903703 Hub for 19.0/45-17
- 903703 Jante p. 19.0/45-17

- 7 903219 Bolzen mit Drehsicherung 28 x 160 x 185mm
- 7 903219 Pin 28x160x185 mm
- 7 903219 Axe à tête carrée 28x160x185 mm

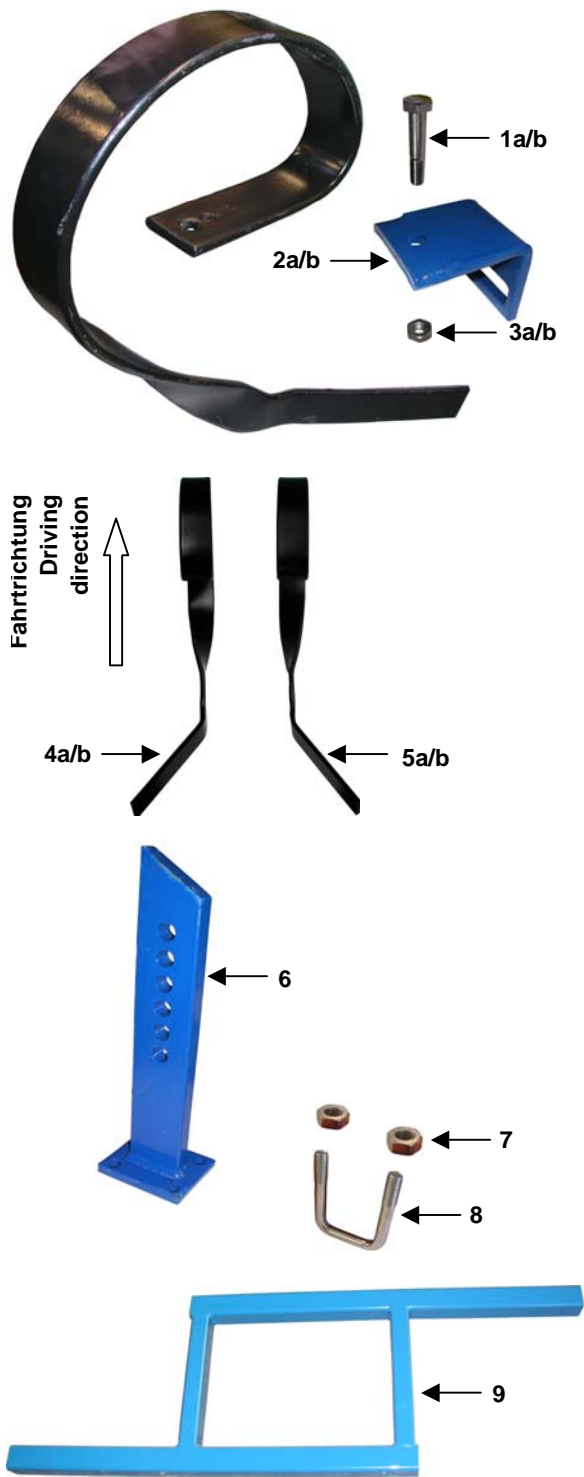
- 8 900921 Anschweißpl. Aufnahme Fahrwerkzylinder 310x150x25mm
- 8 900921 Plate 310x150x25mm
- 8 900921 Plaque 310x150x25mm

- 9 900990 Distanzstück 33,8 x 2,6 x 40mm
- 9 900990 Distance tube 33,8 x 2,6 x 40mm
- 9 900990 Tube entretoise 33,8 x 2,6 x 40mm

- 10 903082 Bolzen mit Drehsicherung 28 x 135 x 160mm
- 10 903082 Pin 28x135x160 mm
- 10 903082 Axe à tête carrée 28 x 135 x 160mm



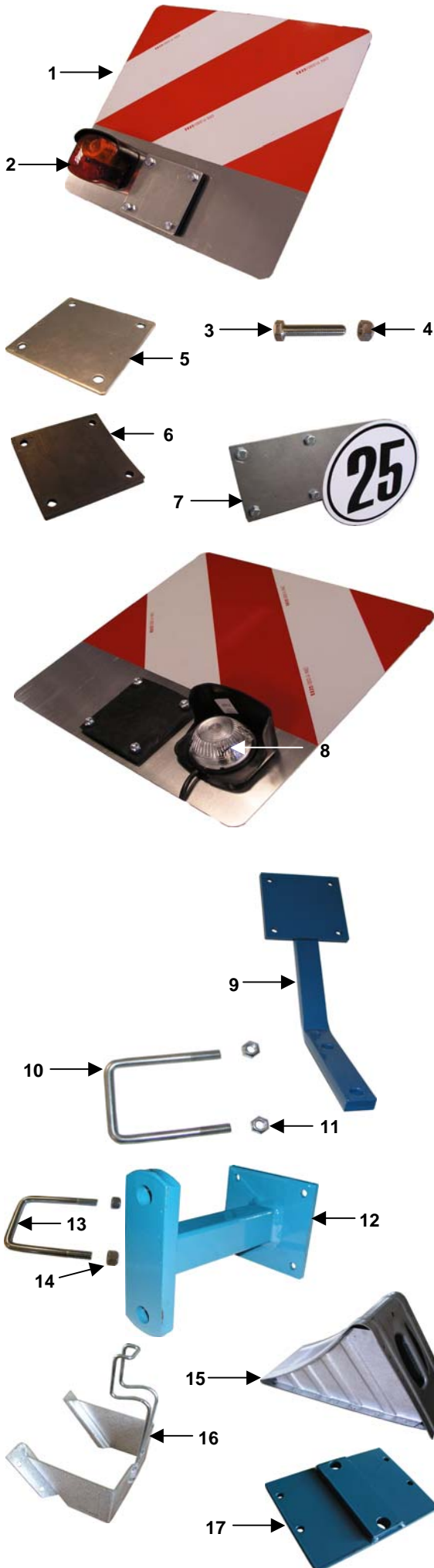




| Pos. | Art. Nr. | Bezeichnung   |
|------|----------|---|
| 1a   | 506224   | Sechskantschraube M12 x 100mm                           |
| 1a   | 506224   | Bolt M12 x 100mm  |
| 1a   | 506224   | Vis M12 x 100mm   |
| 1b   | 902728   | Sechskantschr. M14x100mm f. Niv. 70x12mm (ab 03/2005)   |
| 1b   | 902728   | Bolt M14 x 100mm f. leveller 70x12mm (since 03/2005)    |
| 1b   | 902728   | Vis M14 x 100mm p. niveleur 70x12mm (depuis 03/2005)    |
| 2a   | 506222   | Befestigungsplatte 80 x 10mm                            |
| 2a   | 506222   | Plate 80 x 10mm   |
| 2a   | 506222   | Plaque 80x10mm  |
| 2b   | 504003   | Befestigungsplatte f. 70x12mm Nivellator (ab 03/2005)   |
| 2b   | 504003   | Plate for leveller 70x12mm (since 03/2005)              |
| 2b   | 504003   | Plaque pour niveleur 70x12mm (depuis 03/2005)           |
| 3a   | 901618   | Mutter M12  |
| 3a   | 901618   | Nut M12   |
| 3a   | 901618   | Ecrou M12   |
| 3b   | 901623   | Mutter M14 f. Nivellator 70x12mm (ab 03/2005)           |
| 3b   | 901623   | Nut M14 f. leveller 70x12mm (since 03/2005)             |
| 3b   | 901623   | Ecrou M14 p. niveleur 70x12mm (depuis 03/2005)          |
| 4a   | 506220   | Blattfedernivellatorzinken links 60 x 10mm              |
| 4a   | 506220   | Leveller left 60x10mm                                   |
| 4a   | 506220   | Niveleur gauche 60x10mm                                 |
| 4b   | 904344   | Blattfedernivellatorzinken links 70 x 12mm (ab 03/2005) |
| 4b   | 904344   | Leveller left 70x12mm (since 03/2005)                   |
| 4b   | 904344   | Niveleur gauche 70x12mm (depuis 03/2005)                |
| 5a   | 506219   | Blattfedernivellator rechts 60 x 10mm                   |
| 5a   | 506219   | Leveller right 60x10mm                                  |
| 5a   | 506219   | Niveleur droit 60x10mm                                  |
| 5b   | 904342   | Blattfedernivellator rechts 70 x 12mm (ab 03/2005)      |
| 5b   | 904342   | Leveller right 70x12mm (since 03/2005)                  |
| 5b   | 904342   | Niveleur droit 70x12mm (depuis 03/2005)                 |
| 6    | 506281   | Einschubstück für Blattfedernivellator                  |
| 6    | 506281   | Adjustable bracket                                      |
| 6    | 506281   | Rallonge  |
| 7    | 901618   | Mutter M12  |
| 7    | 901618   | Nut M12   |
| 7    | 901618   | Ecrou M12   |
| 8    | 900842   | Bügelschraube 12 x 61 x 95mm                            |
| 8    | 900842   | U-Bolt 12 x 61 x 95mm                                   |
| 8    | 900842   | Bride 12 x 61 x 95mm                                    |
| 9    | 850422   | Nivellatorhalter rechts (nur Quadro 5,70m)              |
| 9    | 850422   | Bracket for leveller right (only for Quadro 5,70m)      |
| 9    | 850422   | Support de niveleur droit (Quadro 5,70m)                |

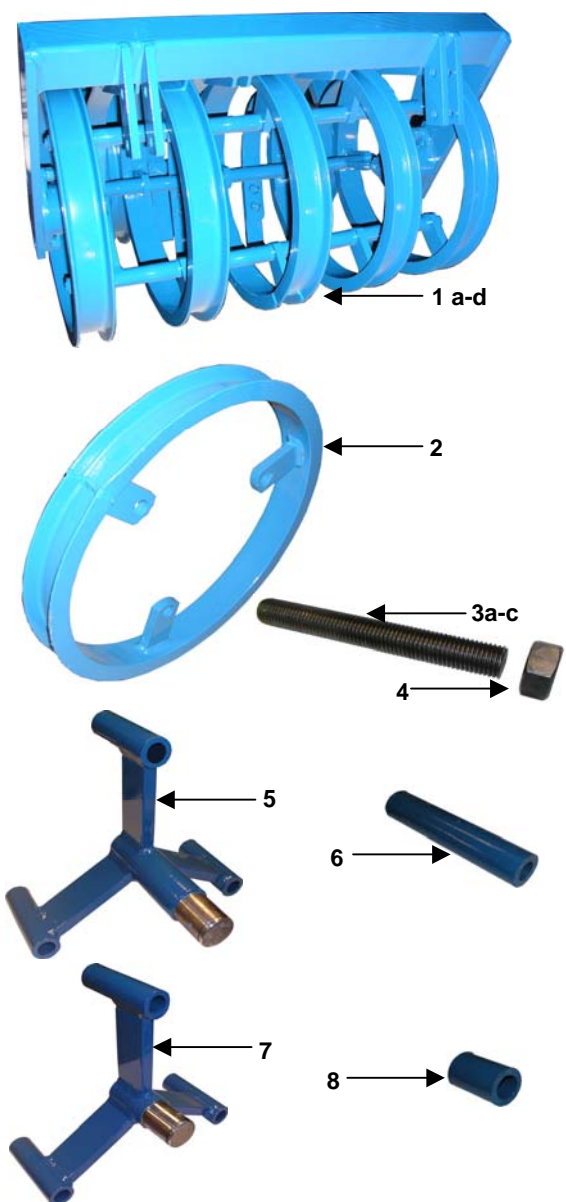
**ohne Abbildung:**

|                                    |                        |                                       |
|------------------------------------|------------------------|---------------------------------------|
| Nivellatorrohr / tube for leveller |                        |                                       |
| 632474                             | 700mm                  | (Quadro 4,00m)                        |
| 632720                             | 750mm                  | (Quadro 800)                          |
| 084242                             | 900mm                  | (Quadro 4,60m)                        |
| 084238                             | 1050mm                 | einschiebbar (Quadro 5,70m)           |
| 632272                             | 1650mm                 | (Quadro 800)                          |
| 631200                             | 1750mm                 | (Quadro DSTS Mittelstück)             |
| 632072                             | 2050mm                 | (Quadro 800) einschiebbar             |
| 631240                             | 2800mm                 | (Quadro Mittelstück STS, Stabkrümmer) |
| 631180                             | 2800mm                 | (Quadro 3,00m) einschiebbar           |
| 506233                             | Nivellatoreinschubrohr |                                       |



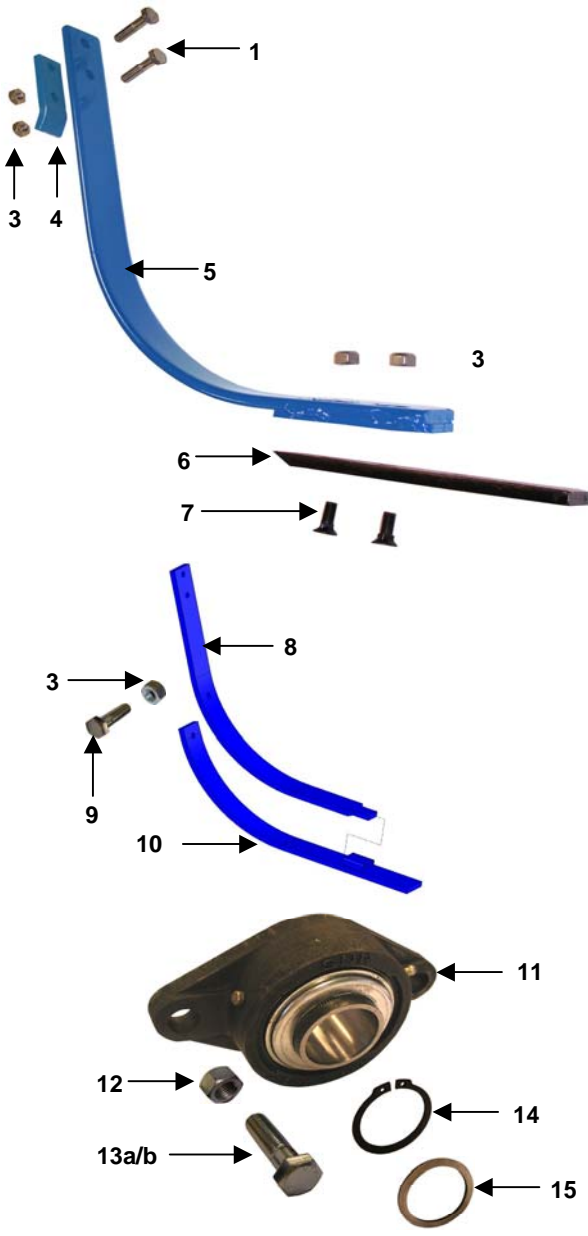
| Pos. | Art. Nr. | Bezeichnung                                 |
|------|----------|---|
| 1    | 903200   | Warntafel mit Beleuchtung                   |
| 1    | 903200   | Lightening                                  |
| 1    | 903200   | Panneau avec feux de signalisation          |
| 2    | 903343   | Lichtscheibe rot/gelb                       |
| 2    | 903343   | Brake light                                 |
| 2    | 903343   | Signal lumineux rouge                       |
| 3    | 901743   | Sechskantschraube M10x40mm                  |
| 3    | 901743   | Bolt M10x40mm                               |
| 3    | 901743   | Vis M10x40mm                                |
| 4    | 901617   | Mutter M10 Din 934                          |
| 4    | 901617   | Nut M10                                     |
| 4    | 901617   | Ecrou M10 Din 934                           |
| 5    | 904378   | Beleuchtungsblech                           |
| 5    | 904378   | Plate                                       |
| 5    | 904378   | Plaque d'éclairage                          |
| 6    | 904382   | Puffer                                      |
| 6    | 904382   | Rubber                                      |
| 6    | 904382   | Bouchon                                     |
| 7    | 904624   | Beleuchtungsblech "25 Km/h"                 |
| 7    | 904624   | Plate                                       |
| 7    | 904624   | Plaque d'éclairage                          |
| 8    | 901342   | Beleuchtungsscheibe weiß                    |
| 8    | 901342   | Lightening glas white                       |
| 8    | 901342   | Signal lumineux blanche                     |
| 9    | 631480   | Beleuchtungshalter                          |
| 9    | 631480   | Lightening plate                            |
| 9    | 631480   | Support rampe d'éclairage                   |
| 10   | 900970   | Bügelschraube M12 x 81 x 110mm              |
| 10   | 900970   | U-Bolt M12 x 81 x 110mm                     |
| 10   | 900970   | Bride M12 x 81 x 110mm                      |
| 11   | 901618   | Mutter M12                                  |
| 11   | 901618   | Nut M12                                     |
| 11   | 901618   | Ecrou M12                                   |
| 12   | 632 402  | Beleuchtungshalter vorne (f. Masch. m. ABE) |
| 12   | 632 402  | Front bracket for lightening                |
| 12   | 632 402  | Support rampe d'éclairage (devant)          |
| 13   | 900238   | Bügelschraube M16 x 101 x 135mm             |
| 13   | 900238   | U-Bolt M16 x 101 x 135mm                    |
| 13   | 900238   | Bride M16 x 101 x 135 mm                    |
| 14   | 901620   | Mutter M16                                  |
| 14   | 901620   | Nut M16                                     |
| 14   | 901620   | Ecrou M16                                   |
| 15   | 900123   | Hemmschuh                                   |
| 15   | 900123   | Wheel wedge                                 |
| 15   | 900123   | Cale de retenue en côte                     |
| 16   | 900122   | Halter Hemmschuh                            |
| 16   | 900122   | Support for wheel wedge                     |
| 16   | 900122   | Support de cale de retenue en côte          |
| 17   | 080 518  | Platte f. Bremskeilhalterung                |
| 17   | 080 518  | Plate                                       |
| 17   | 080 518  | Plaque                                      |





**Pos. Art. Nr. Bezeichnung**

- 1a 086102 Rahmen STS 16 Ringe (für Quadro 4,6m/ 5,7m)
- 1a 086102 Frame STS
- 1a 086102 Châssis STS
  
- 1b 631820 Rahmen STS 17 Ringe ( für Quadro 3,00m)
- 1b 631820 Frame STS
- 1b 631820 Châssis STS
  
- 1c 080525 Rahmen STS 6 Ringe ( für Quadro 4,6m)
- 1c 080525 Frame STS
- 1c 080525 Châssis STS
  
- 1d 080530 Rahmen STS 8 Ringe ( für Quadro 5,7m)
- 1d 080530 Frame STS
- 1d 080530 Châssis STS
  
- 2 084252 STS Ring
- 2 084252 STS Ring
- 2 084252 Châssis STS
  
- 3a 084260 Gewindespindel M20 x 955mm (6 Ringe)
- 3a 084260 Rod M20 x 955mm
- 3a 084260 Tige filetée M20 x 955mm
  
- 3b 084258 Gewindespindel M20 x 1315mm (8 Ringe)
- 3b 084258 Rod M20 x 1315mm
- 3b 084258 Tige filetée M20 x 1315mm
  
- 3c 085160 Gewindespindel M20 x 1495mm (9 Ringe)
- 3c 085160 Rod M20 x 1495mm
- 3c 085160 Tige filetée M20 x 1495mm
  
- 4 901622 Mutter M20 Din 980
- 4 901622 Nut M20
- 4 901622 Ecrou M20
  
- 5 084256 Lagerkreuz lang
- 5 084256 Roller-end-cross long
- 5 084256 Axe de spire long
  
- 6 084262 Hülse L=165mm
- 6 084262 Wear part for STS L=165mm
- 6 084262 Entretoise STS L=165mm
  
- 7 084254 Lagerkreuz kurz
- 7 084254 Cross
- 7 084254 Axe de spire court
  
- 8 084263 Lagerkreuzhülse L=50mm
- 8 084263 Wear part STS short L=50mm
- 8 084263 Entretoise STS L=50mm



**Pos. Art. Nr. Bezeichnung**  
**900920 Zwischenfeder kpl. m. Verschleißteil**  
**900920 Spring part cpl. with wear part**  
**900920 Ressort avec pièce d'usure cpl.**

- 1 901745 Sechskantschraube M10 x 45mm
- 1 901745 Bolt M10 x 45mm
- 1 901745 Vis M10 x 45mm
- 3 901617 Mutter M10
- 3 901617 Nut M10
- 3 901617 Ecrou M10
- 4 080539 Montageplatte
- 4 080539 Plate
- 4 080539 Plaque
- 5 080538 Zwischenfeder 45 x 10mm
- 5 080538 Spring part 45 x 10mm
- 5 080538 Ressort 45 x 10mm
- 6 900909 Verschleißteil
- 6 900909 Wear part
- 6 900909 Pièce d'usure
- 7 901517 Senkkopfschraube M10 x 25mm
- 7 901517 Bolt M10 x 25mm
- 7 901517 Vis M10 x 25mm
- 8 904478 Zwischenfeder 06
- 8 904478 Spring part 06
- 8 904478 Ressort 06

**633236 Zwischenfeder 06 kpl. m. Verschleißstück**  
**633236 Spring part 06 cpl. with wear part**  
**633236 Ressort 06 avec pièce d'usure cpl.**

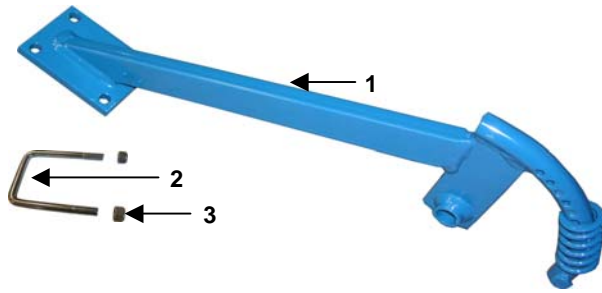
- 9 901575 Sechskantschraube M10x30mm
- 9 901575 Bolt M10x30mm
- 9 901575 Vis M10x30mm
- 10 633238 Verschleißteil Zwischenfeder 06
- 10 633238 Wear part Spring part 06
- 10 633238 Pièce d'usure Ressort 06
- 11 567148 Lager kpl. mit Gehäuse
- 11 567148 Bearing with Housing
- 11 567148 Roulement complet avec palier

- 12 901620 Mutter M16 Din 980
- 12 901620 Nut M16
- 12 901620 Ecrou M16
- 13a 901548 Sechskantschraube M16 x 60mm
- 13a 901548 Bolt M16 x 60mm
- 13a 901548 Vis M16 x 60mm
- 13b 901755 Senkkopfschraube M16 x 45mm
- 13b 901755 Bolt M16 x 45mm
- 13b 901755 Vis 16 x 45mm

- 14 901703 Sicherungsring A40
- 14 901703 Ring
- 14 901703 Circlips
- 15 901773 Stützscheibe 40 x 50 x 2,5mm
- 15 901773 Washer 40 x 50 x 2,5mm
- 15 901773 Rondelle 40 x 50 x 2,5mm



- 16 080390 Brücke 40 x 20 x 137mm
- 16 080390 Plate 40 x 20 x 137mm
- 16 080390 Plaque 40 x 20 x 137mm
- 17 902554 Sechskantschraube M16 x 160mm
- 17 902554 Bolt M16 x 160mm
- 17 902554 Vis M16 x 160mm

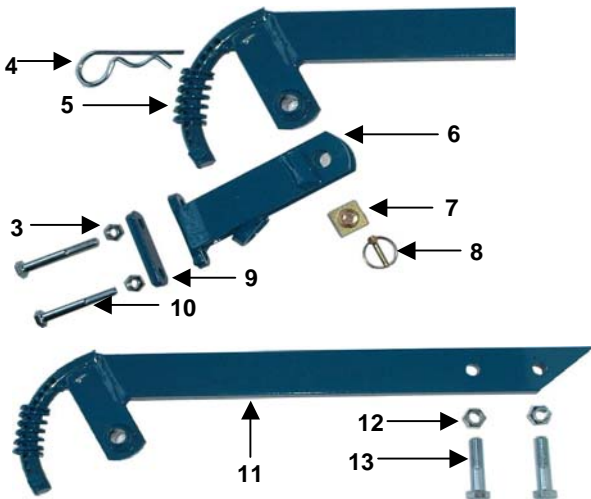


**Pos. Art. Nr. Bezeichnung**  
 1 080570 Striegelhalter  
 1 080570 Arm  
 1 080570 Support de peigne

2 900970 Bügelschraube M12 x 81 x 110mm  
 2 900970 U-Bolt M12 x 81 x 110mm  
 2 900970 Bride M12 x 81 x 110mm

3 901618 Mutter M12 DIN 980  
 3 901618 Nut M12  
 3 901618 Ecrou M12 DIN 980

4 901714 Federstecker 6mm  
 4 901714 R-Clip 6mm  
 4 901714 Goupille de sécurité



5 500080 Druckfeder für Striegelhalter  
 5 500080 Spring for pressure adjustment  
 5 500080 Ressort  
 6 190803 Krümmlerhalter mit Bolzen, Platte und Schrauben  
 6 190803 Lower section of tine holder with plate  
 6 190803 Support de rouleau avec broche et plaque

7 903049 Bolzen 19 x 53 x 74mm  
 7 903049 Pin 19 x 53 x 74mm  
 7 903049 Broche 19 x 53 x 74mm

8 500055 Klappstecker 6 x 32mm  
 8 500055 Lynch pin 6 x 32mm  
 8 500055 Clavette de sécurité 6 x 32mm

9 632286 Gegenplatte f. Krümmlerhalter 30 x 10 x 95mm  
 9 632286 Plate 30 x 10 x 95mm  
 9 632286 Plaque 30 x 10 x 95mm

10 901720 Sechskantschraube M12 x 90mm  
 10 901720 Bolt M12 x 90mm  
 10 901720 Vis M12 x 90mm

11 084274 Striegelhalter f. STS  
 11 084274 Arm  
 11 084274 Support de peigne de STS

12 901620 Mutter M16  
 12 901620 Nut M16  
 12 901620 Ecrou M16

13 901551 Sechskantschraube M16 x 65mm  
 13 901551 Bolt M16 x 65mm  
 13 901551 Vis M16 x 65mm

14 **wird ersetzt durch 501132**  
 replaced by 501132

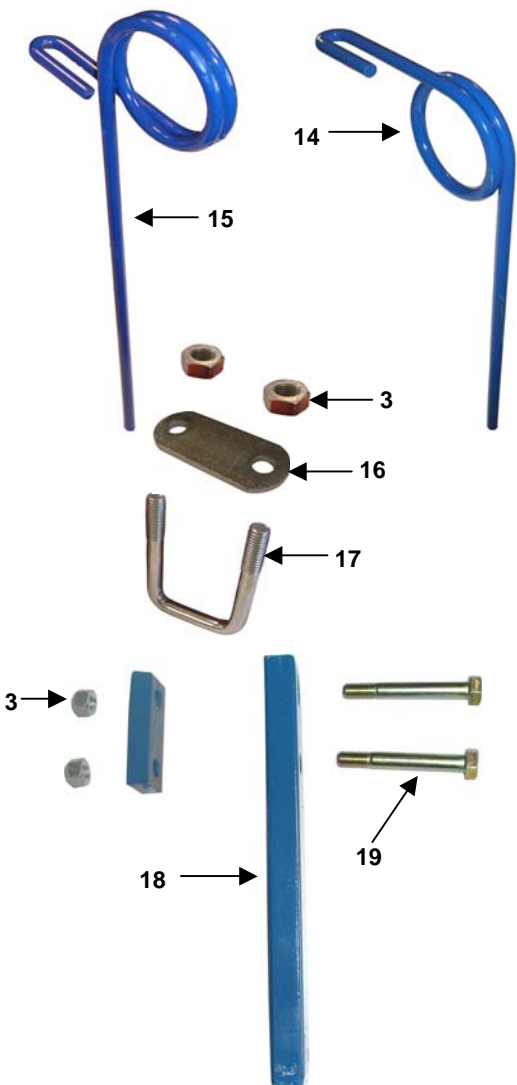
15 501132 Nachstriegel 13mm neue Variante (ab 02/2006)  
 15 501132 Seedbed tine 13mm new (since 02/2006)  
 15 501132 Dent peigne 13mm (depuis 02/2006)

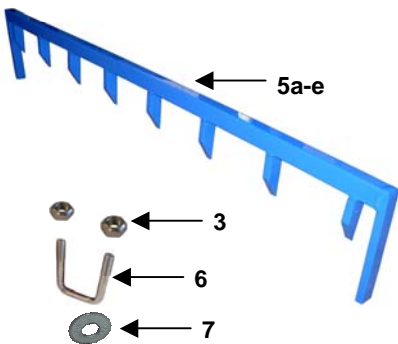
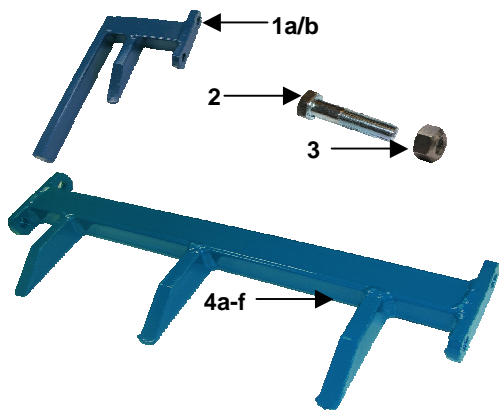
16 562240 Befestigungsplatte 40 x 6 x 95mm  
 16 562240 Plate 40 x 6 x 95mm  
 16 562240 Plaque 40 x 6 x 95mm

17 562052 Bügelschraube M12 x 51 x 80mm ohne Mutter  
 17 562052 U-Bolt M12 x 51 x 80mm  
 17 562052 Bride 12 x 51 x 80mm

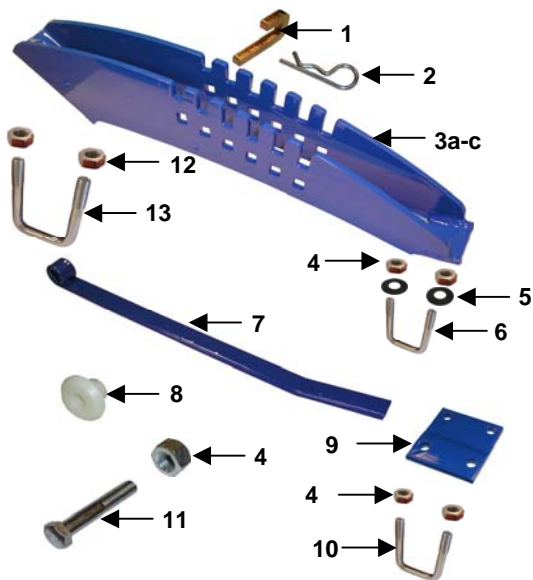
18 632310 Mittelabstreifer m. Montageplatte f. STS Walze  
 18 632310 Wear part f. STS roller with plate  
 18 632310 Décrottoir p. rouleau STS avec plaque

19 901721 Sechskantschraube M12x80mm  
 19 901721 Bolt M12 x 80mm  
 19 901721 Vis M12 x 80mm



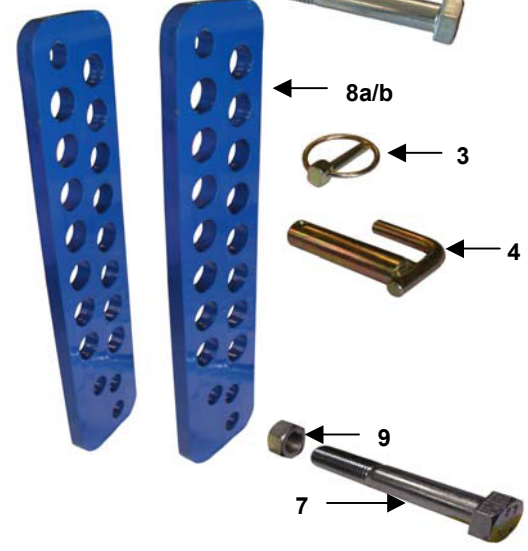
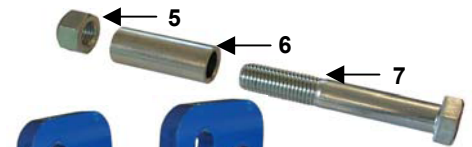
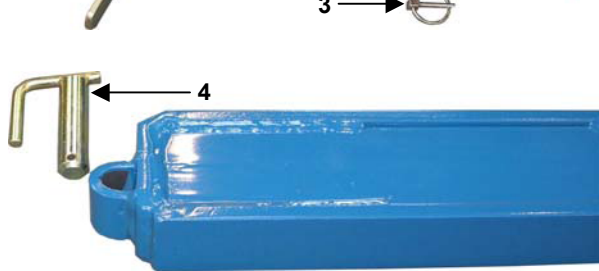
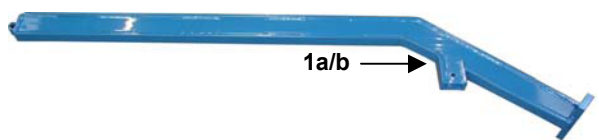


| Pos. | Art. Nr. | Bezeichnung                   |
|------|----------|-------------------------------|
| 1a   | 084266   | Abstreifer links              |
| 1a   | 084266   | Wear part left                |
| 1a   | 084266   | Décrottoir gauche             |
| 1b   | 084264   | Abstreifer rechts             |
| 1b   | 084264   | Wear part right               |
| 1b   | 084264   | Décrottoir droite             |
| 2    | 901717   | Sechskantschraube M12 x 55mm  |
| 2    | 901717   | Bolt M12 x 55mm               |
| 2    | 901717   | Vis M12 x 55mm                |
| 3    | 901618   | Mutter M12 DIN 980            |
| 3    | 901618   | Nut M12                       |
| 3    | 901618   | Ecrou M12                     |
| 4a   | 084272   | Abstreifer 2 Ringe            |
| 4a   | 084272   | Wear part                     |
| 4a   | 084272   | Décrottoir 2 bagues           |
| 4b   | 084200   | Abstreifer 3 Ringe            |
| 4b   | 084200   | Wear part                     |
| 4b   | 084200   | Décrottoir 3 bagues           |
| 4c   | 084268   | Abstreifer 4 Ringe            |
| 4c   | 084268   | Wear part                     |
| 4c   | 084268   | Décrottoir 4 bagues           |
| 4d   | 085210   | Abstreifer 5 Ringe            |
| 4d   | 085210   | Wear part                     |
| 4d   | 085210   | Décrottoir 5 bagues           |
| 4e   | 084270   | Abstreifer 6 Ringe            |
| 4e   | 084270   | Wear part                     |
| 4e   | 084270   | Décrottoir 6 bagues           |
| 4f   | 085220   | Abstreifer 9 Ringe            |
| 4f   | 085220   | Wear part                     |
| 4f   | 085220   | Décrottoir 9 bagues           |
| 5a   | 632 934  | Reiniger STS Walze 7 Ringe    |
| 5a   | 632 934  | Wear part 7                   |
| 5a   | 632 934  | Décrottoir 7                  |
| 5b   | 632 426  | Reiniger STS Walze 8 Ringe    |
| 5b   | 632 426  | Wear part 8                   |
| 5b   | 632 426  | Décrottoir 8                  |
| 5c   | 632 424  | Reiniger STS Walze 9 Ringe    |
| 5c   | 632 424  | Wear part 9                   |
| 5c   | 632 424  | Décrottoir 9                  |
| 5d   | 632 434  | Reiniger STS Walze 10 Ringe   |
| 5d   | 632 434  | Wear part 10                  |
| 5d   | 632 434  | Décrottoir 10                 |
| 5e   | 632 438  | Reiniger STS Walze 12 Ringe   |
| 5e   | 632 438  | Wear part 12                  |
| 5e   | 632 438  | Décrottoir 12                 |
| 6    | 904494   | Bügelschraube M12 x 31 x 65mm |
| 6    | 904494   | U-bolt M12 x 31 x 65mm        |
| 6    | 904494   | Bride M12 x 31 x 65mm         |
| 7    | 901634   | U-Scheibe 13mm                |
| 7    | 901634   | Washer 13mm                   |
| 7    | 901634   | Rondelle 13mm                 |



| Pos. | Art. Nr. | Bezeichnung                                |
|------|----------|--|
| 1    | 904488   | Einstellhebel                              |
| 1    | 904488   | Pin  |
| 1    | 904488   | Broche                                     |
| 2    | 901712   | Federstecker 4mm                           |
| 2    | 901712   | R-Clip 4mm                                 |
| 2    | 901712   | Goupille de sécurité 4mm                   |
| 3a   | 632416   | Striegelhaltebogen DSTS                    |
| 3a   | 632416   | Bracket DSTS                               |
| 3a   | 632416   | Support DSTS                               |
| 3b   | 632414   | Striegelhaltebogen STS                     |
| 3b   | 632414   | Bracket STS                                |
| 3b   | 632414   | Support STS                                |
| 3c   | 632418   | Striegelhaltebogen Krümmer 350/450mm       |
| 3c   | 632418   | Bracket roller 350/450mm                   |
| 3c   | 632418   | Support rouleaux 350/450mm                 |
| 4    | 901618   | Mutter M12 DIN 980                         |
| 4    | 901618   | Nut M12                                    |
| 4    | 901618   | Ecrou M12                                  |
| 5    | 901634   | U-Scheibe 13mm                             |
| 5    | 901634   | Washer 13mm                                |
| 5    | 901634   | Rondelle 13mm                              |
| 6    | 904494   | Bügelsschraube M12 x 31 x 65mm             |
| 6    | 904494   | U-bolt M12 x 31 x 65mm                     |
| 6    | 904494   | Bride M12 x 31 x 65mm                      |
| 7    | 904496   | Striegelhaltebügel 32x10mm                 |
| 7    | 904496   | Bracket 32x10mm                            |
| 7    | 904496   | Support 32x10mm                            |
| 8    | 904452   | Lagerbuchse                                |
| 8    | 904452   | Bush                                       |
| 8    | 904452   | Bague                                      |
| 9    | 904486   | Auflageplatte 120x91x10mm                  |
| 9    | 904486   | Plate 120x91x10mm                          |
| 9    | 904486   | Plaque 120x91x10mm                         |
| 10   | 562052   | Bügelsschraube M12 x 51 x 80mm ohne Mutter |
| 10   | 562052   | U-Bolt M12 x 51 x 80mm                     |
| 10   | 562052   | Bride M12 x 51 x 80mm                      |
| 11   | 901579   | Sechskantschraube M12x70mm                 |
| 11   | 901579   | Bolt M12x70mm                              |
| 11   | 901579   | Vis M12x70mm                               |
| 12   | 901620   | Mutter M16 Din 980                         |
| 12   | 901620   | Nut M16                                    |
| 12   | 901620   | Ecrou M16                                  |
| 13   | 904990   | Bügelsschraube M16x81x107mm                |
| 13   | 904990   | U-bolt M16x81x107mm                        |
| 13   | 904990   | Bride M16x81x107mm                         |





| Pos. | Art. Nr. | Bezeichnung                      |
|------|----------|----------------------------------|
| 1a   | 084234   | Anbauarm                         |
| 1a   | 084234   | Arm                              |
| 1a   | 084234   | Bras pour rouleau                |
| 1b   | 904592   | Anbauarm f. DSTS                 |
| 1b   | 904592   | Arm f. DSTS                      |
| 1b   | 904592   | Bras pour rouleau DSTS           |
| 2    | 903713   | Bolzen mit Griff 16 x 42 x 56mm  |
| 2    | 903713   | Pin 16 x 42 x 56mm               |
| 2    | 903713   | Broche 16 x 42 x 56mm            |
| 3    | 500055   | Klappstecker 6 x 32mm            |
| 3    | 500055   | Lynch pin 6 x 32mm               |
| 3    | 500055   | Clavette de sécurité 6 x 32mm    |
| 4    | 500008   | Bolzen mit Griff 22 x 82 x 103mm |
| 4    | 500008   | Pin 22 x 82 x 103mm              |
| 4    | 500008   | Broche 22 x 82 x 103mm           |
| 5    | 901620   | Mutter M16 DIN 980               |
| 5    | 901620   | Nut M16                          |
| 5    | 901620   | Ecrout M16                       |
| 6    | 632576   | Hülse 55x22x3mm                  |
| 6    | 632576   | Bush                             |
| 6    | 632576   | Douille                          |
| 7    | 901554   | Sechskantschraube M16 x 100mm    |
| 7    | 901554   | Bolt M16 x 100mm                 |
| 7    | 901554   | Vis M16 x 100mm                  |
| 8a   | 506263   | Absteckplatte mit 16 Bohrungen   |
| 8a   | 506263   | Plate                            |
| 8a   | 506263   | Plaque                           |
| 8b   | 904856   | Absteckplatte lang für DSTS      |
| 8b   | 904856   | Plate long DSTS                  |
| 8b   | 904856   | Plaque DSTS                      |





| Pos. | Art. Nr. | Bezeichnung                                 |
|------|----------|---|
| 1    | 903388   | Radmutter M18 x 1,5 m. Druckteller          |
| 1    | 903388   | Nut M18 x 1,5                               |
| 1    | 903388   | Ecrou de roue                               |
| 2    | 900371   | Radbolzen M18 x 1,5                         |
| 2    | 900371   | Stud M18 x 1,5                              |
| 2    | 900371   | Goujon de roue                              |
| 3    | 903375   | Nabe für Stützrad, Fahrwerk und Hangscheibe |
| 3    | 903375   | Hub for depth wheel                         |
| 3    | 903375   | Moyeu roue de jauge                         |
| 4    | 903374   | Staubkappe M73,5 x 1,5                      |
| 4    | 903374   | Hub cap M73,5 x 1,5                         |
| 4    | 903374   | Chapeau d'essieu                            |

|   |        |                         |
|---|--------|-------------------------|
| 5 | 903380 | Kronenmutter HK M30 x 2 |
| 5 | 903380 | Castle nut HK M30 x 2   |
| 5 | 903380 | Ecrou à créneaux        |

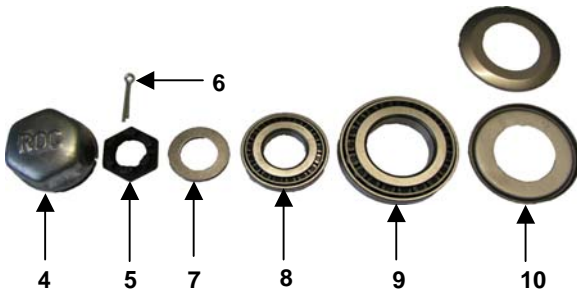
|   |        |                   |
|---|--------|-------------------|
| 6 | 903381 | Splint 5 x 50mm   |
| 6 | 903381 | Pin 5 x 50mm      |
| 6 | 903381 | Goupille 5 x 50mm |

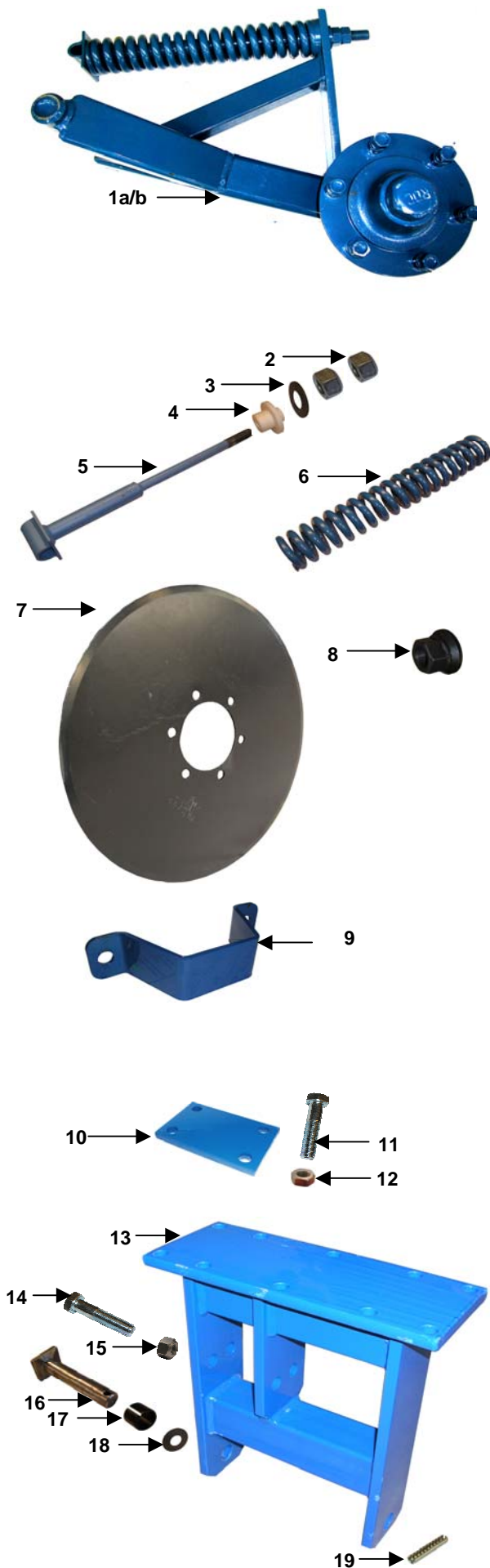
|   |        |                        |
|---|--------|------------------------|
| 7 | 903379 | Scheibe 31 x 52 x 4mm  |
| 7 | 903379 | Wascher 31 x 52 x 4mm  |
| 7 | 903379 | Rondelle 31 x 52 x 4mm |

|   |        |                                     |
|---|--------|-------------------------------------|
| 8 | 903378 | Kegelrollenlager 30207              |
| 8 | 903378 | Bearing 30207                       |
| 8 | 903378 | Roulement à rouleaux coniques 30207 |

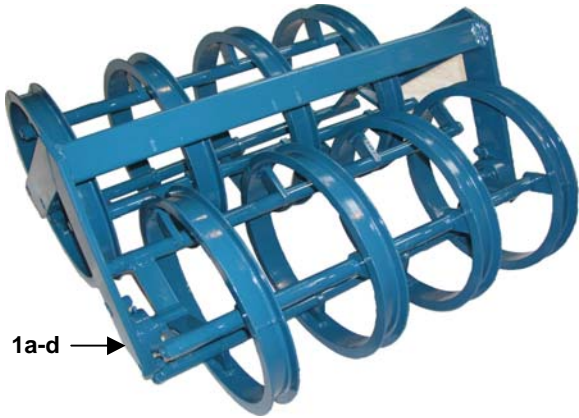
|   |        |                                     |
|---|--------|-------------------------------------|
| 9 | 903377 | Kegelrollenlager 30211              |
| 9 | 903377 | Bearing 30211                       |
| 9 | 903377 | Roulement à rouleaux coniques 30211 |

|    |        |                          |
|----|--------|--------------------------|
| 10 | 903376 | Scheibe 55 x 99 x 1,2mm  |
| 10 | 903376 | Washer 55 x 99 x 1,2mm   |
| 10 | 903376 | Rondelle 55 x 99 x 1,2mm |

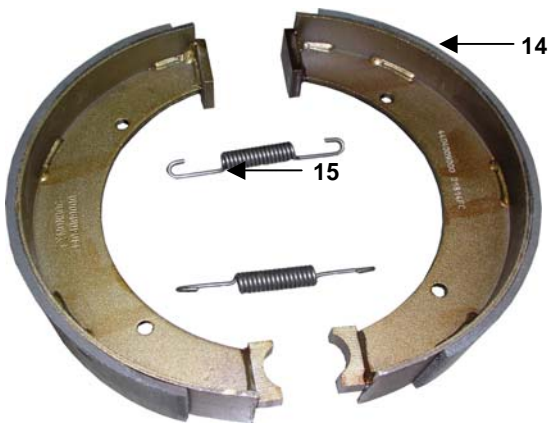




| Pos. | Art. Nr. | Bezeichnung                               |
|------|----------|---|
| 1a   | 084235   | Haltearm links                            |
| 1a   | 084235   | Track disc arm left                       |
| 1a   | 084235   | Support gauche                            |
| 1b   | 084239   | Haltearm rechts                           |
| 1b   | 084239   | Track disc arm right                      |
| 1b   | 084239   | Support droit                             |
| 2    | 901610   | Mutter M24                                |
| 2    | 901610   | Nut M24                                   |
| 2    | 901610   | Ecrou M24                                 |
| 3    | 901674   | Tellerfeder d=25mm                        |
| 3    | 901674   | Bevelle washer d=25mm                     |
| 3    | 901674   | Rondelle ressorts                         |
| 4    | 900867   | Führungsbuchse                            |
| 4    | 900867   | Nylon holder                              |
| 4    | 900867   | Bague de guidage                          |
| 5    | 084244   | Spindel                                   |
| 5    | 084244   | Turnbuckle                                |
| 5    | 084244   | Arbre                                     |
| 6    | 900335   | Druckfeder 16mm                           |
| 6    | 900335   | Spring for pressure adjustment            |
| 6    | 900335   | Ressort                                   |
| 7    | 904088   | Hangscheibe d=700mm                       |
| 7    | 904088   | Track disc d=700mm                        |
| 7    | 904088   | Coutres de dévers                         |
| 8    | 903388   | Radmutter mit Druckteller 18 x 1,5mm      |
| 8    | 903388   | Assembly nut 18 x 1,5mm                   |
| 8    | 903388   | Ecrou de roue                             |
| 9    | 904530   | Hangscheibenschutz                        |
| 9    | 904530   | Cover for Track disc                      |
| 9    | 904530   | Protecteur de coutres de dévers           |
| 10   | 084233   | Gegenplatte für Haltekonsole              |
| 10   | 084233   | Plate                                     |
| 10   | 084233   | Plaque                                    |
| 11   | 901728   | Sechskantschraube M16 x 150mm             |
| 11   | 901728   | Bolt M16 x 150mm                          |
| 11   | 901728   | Vis M16 x 150mm                           |
| 12   | 901620   | Mutter M16 DIN 980                        |
| 12   | 901620   | Nut M16                                   |
| 12   | 901620   | Ecrou M16                                 |
| 13   | 084237   | Haltekonsole für Hangscheibe              |
| 13   | 084237   | Fixture for Track disc                    |
| 13   | 084237   | Support de coutres de dévers              |
| 14   | 901738   | Sechskantschraube M20 x 150mm             |
| 14   | 901738   | Bolt M20 x 150mm                          |
| 14   | 901738   | Vis M20 x 150mm                           |
| 15   | 901622   | Mutter M20 DIN 980                        |
| 15   | 901622   | Nut M20                                   |
| 15   | 901622   | Ecrou M20                                 |
| 16   | 903092   | Bolzen mit Drehsicherung 28 x 296 x 319mm |
| 16   | 903092   | Pin 28 x 296 x 319mm                      |
| 16   | 903092   | Axe à tête carrée 28 x 296 x 319mm        |
| 17   | 900984   | Einspannbuchse 28/35/28                   |
| 17   | 900984   | Bush 28/35/28                             |
| 17   | 900984   | Bague ressort 28/35/28                    |
| 18   | 901677   | Tellerfeder D= 28,5                       |
| 18   | 901677   | Washer                                    |
| 18   | 901677   | Rondelle ressorts                         |
| 19   | 901780   | Schwerspannstift 8 x 50mm                 |
| 19   | 901780   | Roll pin 8 x 50mm                         |
| 19   | 901780   | Goupille creuse 8 x 50mm                  |



**Anbauarm DSTS siehe Seite 13!**  
**Arm for DSTS on page 13!**  
**Bras pour rouleau en page 13!**

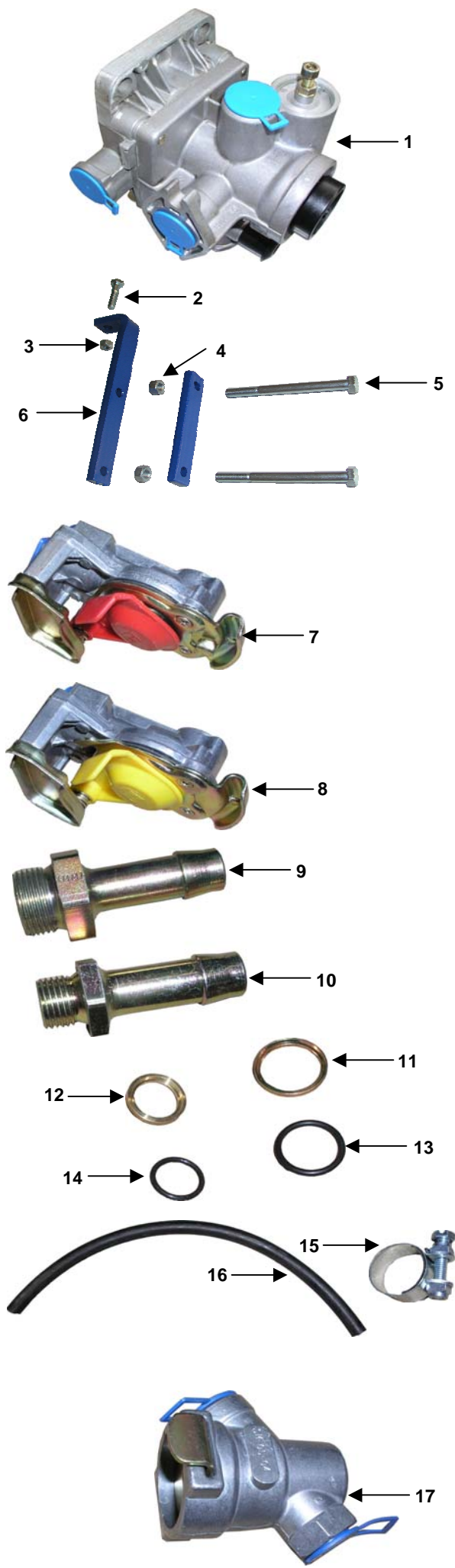


**Pos. Art. Nr. Bezeichnung**

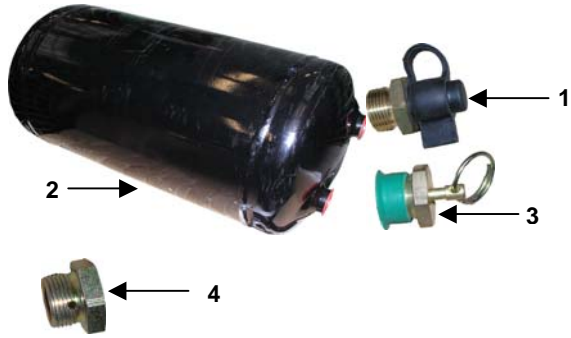
|    |        |  |
|----|--------|--|
| 1a | 080639 | Rahmen Doppel-STC 5 Ringe rechts/links       |
| 1a | 080639 | Frame double STS 8 rings left/right          |
| 1a | 080639 | Châssis double-STC 8 spires gauche/droit     |
| 1b | 086106 | Rahmen Doppel-STC 8 Ringe rechts/links       |
| 1b | 086106 | Frame double STS 8 rings left/right          |
| 1b | 086106 | Châssis double-STC 8 spires gauche/droit     |
| 1c | 086102 | Rahmen Doppel-STC 10 Ringe rechts/links      |
| 1c | 086102 | Frame double STS 10 rings left/right         |
| 1c | 086102 | Châssis double-STC 10 spires gauche/droit    |
| 1d | 086110 | Rahmen Doppel-STC 23 Ringe rechts/links      |
| 1d | 086110 | Frame double STS 23 rings left/right         |
| 1d | 086110 | Châssis double-STC 23 spires gauche/droit    |
| 2  | 900939 | Radmutter M18 x 1,5                          |
| 2  | 900939 | Nut M18 x 1,5                                |
| 2  | 900939 | Ecrou de roue M18 x 1,5                      |
| 3  | 900943 | Radbolzen M18 x 1,5                          |
| 3  | 900943 | Stud M18 x 1,5                               |
| 3  | 900943 | Goujon de roue M18 x 1,5                     |
| 4  | 903945 | Nabe kpl. m. Muttern                         |
| 4  | 903945 | Hub  |
| 4  | 903945 | Moyeu  |
| 5  | 903944 | Bremstrommel                                 |
| 5  | 903944 | Brake drum                                   |
| 5  | 903944 | Tambour de frein                             |
| 6  | 903946 | Schmiernippel                                |
| 6  | 903946 | Grease nipple                                |
| 6  | 903946 | Graisser                                     |
| 7  | 903951 | Achskappe                                    |
| 7  | 903951 | Hub cap                                      |
| 7  | 903951 | Chapeau d'essieu                             |
| 8  | 903949 | Kronenmutter HK 45 x 2                       |
| 8  | 903949 | Castle Nut HK 45 x 2                         |
| 8  | 903949 | Ecrou à créneaux HK 45 x 2                   |
| 9  | 903955 | Splint 6 x 70mm                              |
| 9  | 903955 | Pin 6 x 70mm                                 |
| 9  | 903955 | Goupille 6 x 70 mm                           |
| 10 | 903948 | Scheibe 45 x 80 x 5mm                        |
| 10 | 903948 | Washer 45 x 80 x 5mm                         |
| 10 | 903948 | Rondelle 45 x 80 x 5 mm                      |
| 11 | 903947 | Kegelrollenlager 32211                       |
| 11 | 903947 | Bearing 32211                                |
| 11 | 903947 | Roulement à rouleaux coniques 32211          |
| 12 | 903958 | Kegelrollenlager 32017                       |
| 12 | 903958 | Bearing 32017                                |
| 12 | 903958 | Roulement à rouleaux coniques 32017          |
| 13 | 903941 | Scheibe 75 x 130 x 10mm f. Bremsachse 900940 |
| 13 | 903941 | Washer 85 x 130 x 10mm                       |
| 13 | 903941 | Rondelle 85 x 130 x 10 mm                    |
| 14 | 903952 | Bremsbacken 320 x 75D                        |
| 14 | 903952 | Brake shoes 320 x 75D                        |
| 14 | 903952 | Mâchoires de frein à tambour 320 x 75D       |
| 15 | 903954 | Feder für Bremsbacke                         |
| 15 | 903954 | Spring for brake shoes                       |
| 15 | 903954 | Ressort de mâchoires de frein                |

**Pos. Art. Nr. Bezeichnung**

- 1 902576 Anhängerbremsventil M22 x 1,5 mit Umschaltventil
- 1 902576 Valve for brake M22 x 1,5
- 1 902576 Valve de frein M22 x 1,5 avec clapet inverseur
  
- 2 901745 Sechskantschraube M 10 x 45mm
- 2 901745 Bolt M10 x 45mm
- 2 901745 Vis M 10 x 45 mm
  
- 3 901617 Mutter M10
- 3 901617 Nut M10
- 3 901617 Ecrou M10
  
- 4 901618 Mutter M12
- 4 901618 Nut M12
- 4 901618 Ecrou M12
  
- 5 901720 Sechskantschraube M12 x 90mm
- 5 901720 Bolt M12 x 90mm
- 5 901720 Vis M12 x 90 mm
  
- 6 080519 Bremsventilhalter mit Brücke
- 6 080519 Plate for brake
- 6 080519 Support de valves de freinage avec contre plaque
  
- 7 902570 Kupplungskopf rot "Vorrat" M22 x 1,5
- 7 902570 Connection valve red "reserve" M22 x 1,5
- 7 902570 Valve de connexion rouge "Réserve" M22 x 1,5
  
- 8 902572 Kupplungskopf gelb "Bremse" M22 x 1,5
- 8 902572 Connection valve yellow "brake" M22 x 1,5
- 8 902572 Valve de connexion jaune "Frein" M22 x 1,5
  
- 9 902594 Schlauchstutzen M22 x 1,5 SW27
- 9 902594 Nozzle M22 x 1,5 SW27
- 9 902594 Embout de tuyau M22 x 1,5 SW27
  
- 10 902604 Schlauchstutzen M16 x 1,5
- 10 902604 Nozzle M16 x 1,5
- 10 902604 Embout de tuyau M16 x 1,5
  
- 11 902596 Dichtring Messing für Gewinde M22 x 1,5
- 11 902596 Packing ring (brass) M22 x 1,5
- 11 902596 Joint bronze pour filetage M22 x 1,5
  
- 12 902590 Dichtring Messing f. Gewinde M16 x 1,5
- 12 902590 Packing ring (brass) M16 x 1,5
- 12 902590 Joint bronze pour filetage M16 x 1,5
  
- 13 902598 Dichtring Gummi für Gewinde M22 x 1,5
- 13 902598 Rubber joint M22 x 1,5
- 13 902598 Joint caoutchouc pour filetage M22 x 1,5
  
- 14 902588 Dichtring für Gummi f. Gewinde M16 x 1,5
- 14 902588 Rubber joint M16 x 1,5
- 14 902588 Joint caoutchouc pour filetage M16 x 1,5
  
- 15 902600 Schlauchschelle S25/15 mit Spannbackenzug
- 15 902600 Clamp S25/15
- 10 902600 Collier S25/15
  
- 16 902602 Bremserschlauch 13 x 6mm
- 16 902602 Rubber tube f. brake 13 x 6mm
- 16 902602 Tuyau de freinage pneumatique 13 x 6 mm
  
- 17 902574 Rohrleitungsluftfilter M22 x 1,5 mit Hakensprengring
- 17 902574 Air filter M22 x 1,5
- 17 902574 Filtre à air M22 x 1,5 avec bague à crochets







- | Pos. | Art. Nr. | Bezeichnung                                    |
|------|----------|--|
| 1    | 902592   | Hohlschraube M22 x 1,5 mit Prüfanschluss SW 27 |
| 1    | 902592   | Bolt M22 x 1,5 with connection SW 27           |
| 1    | 902592   | Vis creuse M22 x 1,5 avec testeur SW 27        |
| 2    | 902578   | Druckluftbehälter 10 bar 20l d= 206 x 660mm    |
| 2    | 902578   | Reservoir for compressed air                   |
| 2    | 902578   | Réservoir à air 10 bars 20 l d= 206 x 660 mm   |

- |   |        |   |
|---|--------|---|
| 3 | 902582 | Entwässerungsventil mit Ring M22 x 1,5      |
| 3 | 902582 | Valve for draining M22 x 1,5                |
| 3 | 902582 | Valve de vidange d'eau avec bague M22 x 1,5 |

- |   |        |   |
|---|--------|---|
| 4 | 902586 | Lehrkupplung für Kupplungskopf 2. Leitung |
| 4 | 902586 | Connection for 2nd tube                   |
| 4 | 902586 | Valve de dépression pour coupleur ligne 2 |

- |   |        |  |
|---|--------|--|
| 5 | 902580 | Befestigung für Druckluftbehälter        |
| 5 | 902580 | Support for reservoir for compressed air |
| 5 | 902580 | Support de réservoir à air               |

**ohne Abbildung:**

- |        |                               |
|--------|-------------------------------|
| 901538 | Sechskantschraube M12 x 140mm |
| 901538 | Bolt M12 x 140mm              |
| 901538 | Vis M12 x 140 mm              |

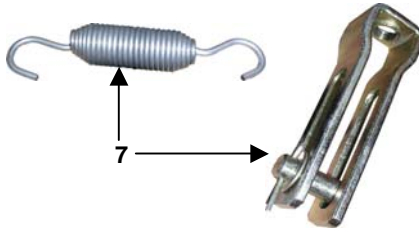
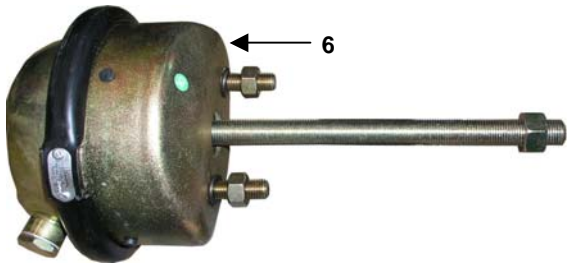
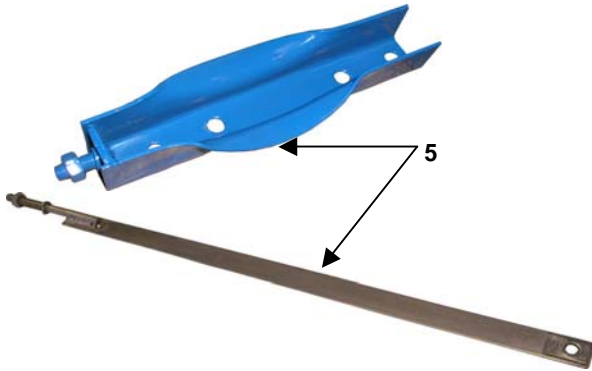
- |        |                           |
|--------|---------------------------|
| 901634 | Unterlegscheibe 13mm      |
| 901634 | Washer 13mm               |
| 901634 | Rondelle entretoise 13 mm |

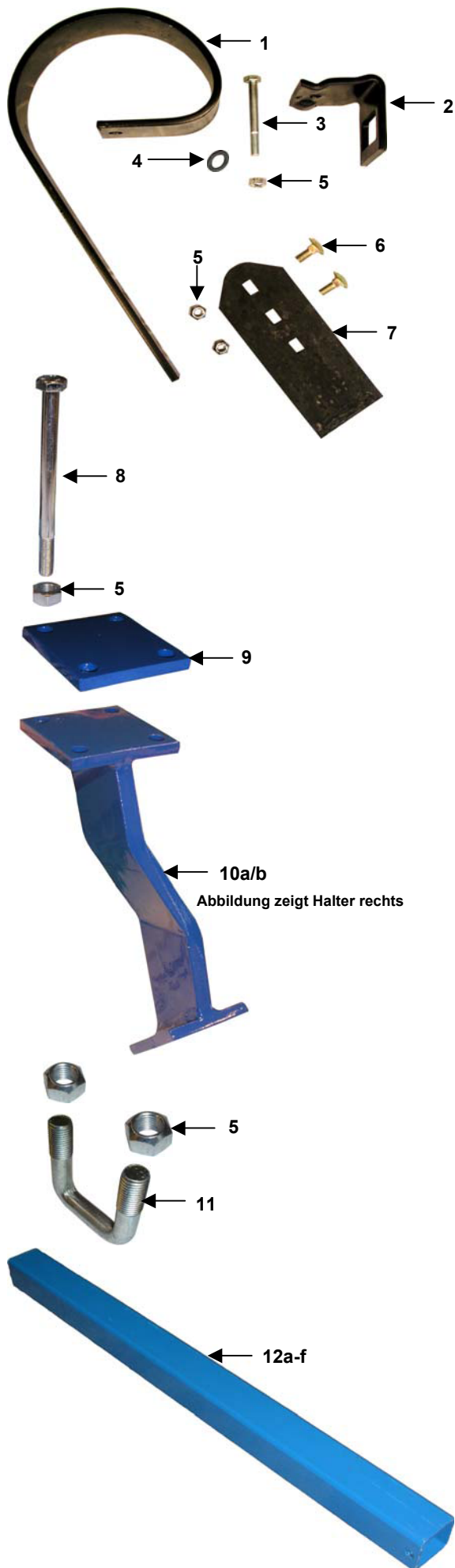
- |   |        |                               |
|---|--------|-------------------------------|
| 6 | 902584 | Membranzylinder Typ 16        |
| 6 | 902584 | Membrane cylinder typ 16      |
| 6 | 902584 | Régulateur à membrane type 16 |

- |   |        |   |
|---|--------|---|
| 7 | 902568 | Gabelkopf m. Langloch (m. Befestigung u Zugfeder) |
| 7 | 902568 | Support with spring                               |
| 7 | 902568 | Serre câble avec lumière et fixation ressort      |

- |   |        |                                    |
|---|--------|------------------------------------|
| 8 | 903517 | Lackfarbe (Sprühdose) 400ml blau   |
| 8 | 903517 | Gloss paint (spray) 400ml blue     |
| 8 | 903517 | Ripolin (bombe aérosol) 400ml bleu |

- |   |        |                         |
|---|--------|-------------------------|
| 9 | 903537 | Lackfarbe 1000ml blau   |
| 9 | 903537 | Gloss paint 1000ml blue |
| 9 | 903537 | Ripolin 1000ml bleu     |





| Pos. | Art. Nr. | Bezeichnung                                |
|------|----------|--|
| 1    | 903476   | Schleppzinken zum Varioboard 80x10mm       |
| 1    | 903476   | Levelling tine for Varioboard 80x10mm      |
| 1    | 903476   | Dent trainée pour Varioboard 80x10mm       |
| 2    | 903472   | Befestigungsplatte 110x10mm                |
| 2    | 903472   | Plate for Varioboard 110x10mm              |
| 2    | 903472   | Plaque pur Varioboard 110x10mm             |
| 3    | 901534   | Sechskantschraube M12x110mm                |
| 3    | 901534   | Bolt M12x110mm                             |
| 3    | 901534   | Vis M12x110mm                              |
| 4    | 901634   | Scheibe 13mm                               |
| 4    | 901634   | Washer 13mm                                |
| 4    | 901634   | Rondelle 13mm                              |
| 5    | 901618   | Mutter M12                                 |
| 5    | 901618   | Nut M12                                    |
| 5    | 901618   | Ecrou M12                                  |
| 6    | 901798   | Flachrundschrabe M12x30mm                  |
| 6    | 901798   | Bolt M12x30mm                              |
| 6    | 901798   | Vis M12x30mm                               |
| 7    | 905238   | Walzenplatte 4x80x8mm                      |
| 7    | 905238   | Wear part levelboard 4x80x8mm              |
| 7    | 905238   | Plaque 4x80x8mm                            |
| 8a   | 901540   | Sechskantschraube M12x170mm                |
| 8a   | 901540   | Bolt M12x170mm                             |
| 8a   | 901540   | Vis M12x170mm                              |
| 8b   | 901542   | Sechskantschraube M12x190mm                |
| 8b   | 901542   | Bolt M12x190mm                             |
| 8b   | 901542   | Vis M12x190mm                              |
| 9    |          | Platte 100x90x12mm                         |
| 9    |          | Plate 100x90x12mm                          |
| 9    |          | Plaque 100x90x12mm                         |
| 10a  | 633 218  | Levelboardträger rechts                    |
| 10a  | 633 218  | Support Levelboard right                   |
| 10a  | 633 218  | Support Levelboard droit                   |
| 10b  | 633 220  | Levelboardträger links                     |
| 10b  | 633 220  | Support Levelboard left                    |
| 10b  | 633 220  | Support Levelboard gauche                  |
| 11   | 900974   | Bügel-schraube M12 x 61 x 87mm ohne Mutter |
| 11   | 900974   | U-Bolt M12 x 61 x 87mm                     |
| 11   | 900974   | Bride M12 x 61 x 87mm                      |
| 12a  | 633 206  | Levelboardrohr 9Zinken                     |
| 12a  | 633 206  | Tube for Levelboard 9 tines                |
| 12a  | 633 206  | Tuyau levelboard 9 parts                   |
| 12b  | 633 208  | Levelboardrohr 6Zinken                     |
| 12b  | 633 208  | Tube for levelboard 6 tines                |
| 12b  | 633 208  | Tuyau levelboard 6 parts                   |
| 12c  | 633 210  | Levelboardrohr 4Zinken                     |
| 12c  | 633 210  | Tube for levelboard 4 tines                |
| 12c  | 633 210  | Tuyau levelboard 4 parts                   |
| 12d  | 633 212  | Levelboardrohr 12Zinken                    |
| 12d  | 633 212  | Tube for levelboard 12 tines               |
| 12d  | 633 212  | Tuyau levelboard 12 parts                  |
| 12e  | 633 214  | Levelboardrohr 5Zinken                     |
| 12e  | 633 214  | Tube for levelboard 5 tines                |
| 12e  | 633 214  | Tuyau levelboard 5 parts                   |
| 12f  | 633 216  | Levelboardrohr 2Zinken                     |
| 12f  | 633 216  | Tube for levelboard 2 tines                |
| 12f  | 633 216  | Tuyau levelboard 2 parts                   |

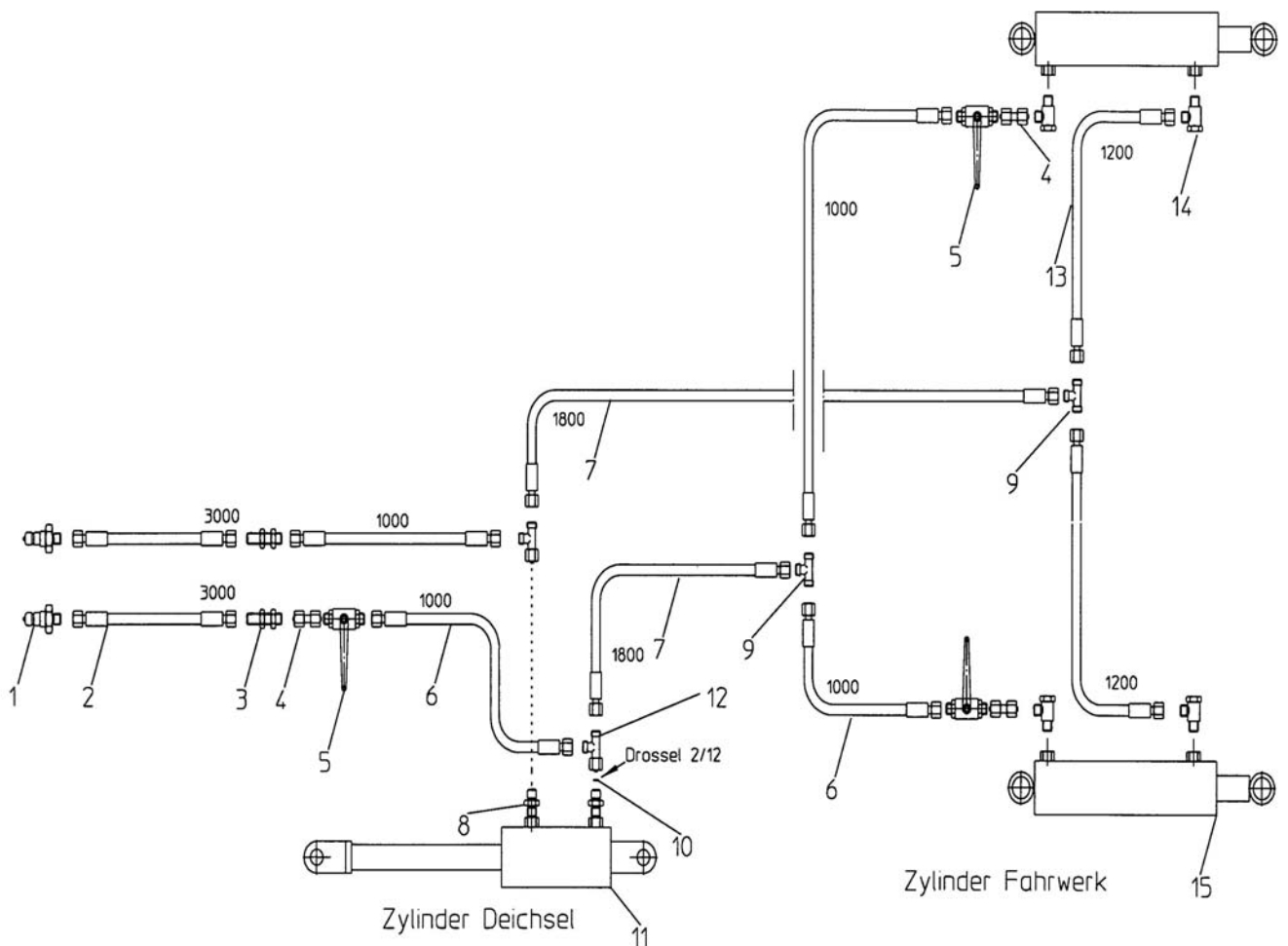


# Hydraulikplan Quadro 3,00m

Hydraulic plan Quadro 3,00m

Plan d'hydraulique Quadro 3,00m

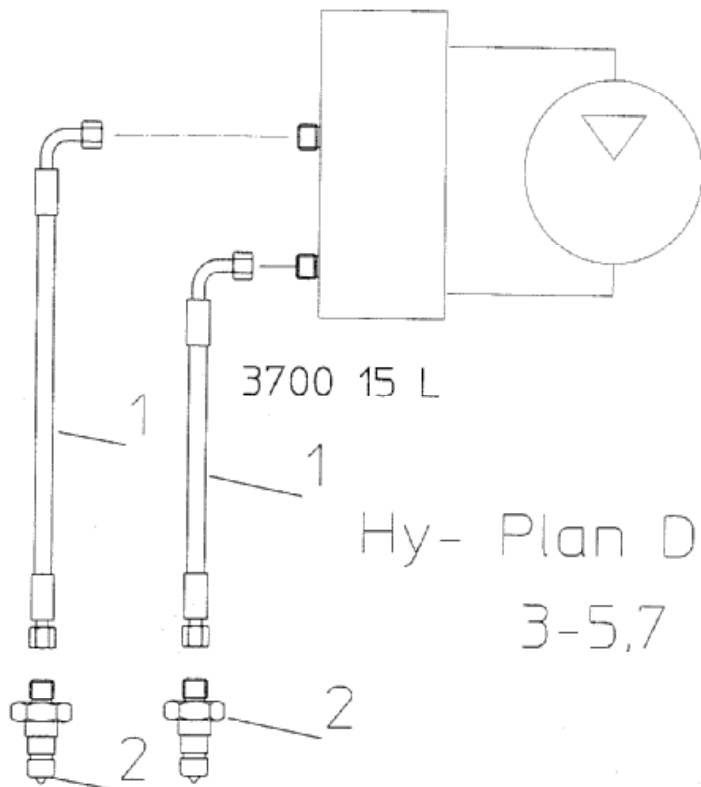
| Pos.Nr. | Art.Nr. | Artikelbezeichnung       | Abmessung                 | Description            | Désignation                |
|---------|---------|--------------------------|---------------------------|------------------------|----------------------------|
| 1       | 900 655 | Schnellverschlußkupplung | BG 3 M 18 x 1,5           | Quick release coupling | Coupleur push - pull       |
| 2       | 900 508 | Hy-Schlauch              | DN 10-2SN 3000 M 18 x 1,5 | Hose                   | Conduite flexible          |
| 3       | 900 656 | Schottverschraubung      | xSV-12L                   | Bulkhead fitting       | Union traversée de cloison |
| 4       | 900 699 | Doppelnippel             | 12L                       | Double nipple          | Union                      |
| 5       | 900 669 | Kugelhahn                | 12L M 18 x 1,5            | Ball valve             | Robinet                    |
| 6       | 900 504 | Hy-Schlauch              | DN 10 1000 M 18 x 1,5     | Hose                   | Conduite flexible          |
| 7       | 902 125 | Hy-Schlauch              | DN 10 1800 M 18 x 1,5     | Hose                   | Conduite flexible          |
| 8       | 900 678 | Verschraubung            | xGE 12L M 18 x 1,5        | Thread joint           | Raccord union              |
| 9       | 900 654 | T-Stück                  | xT 12L                    | T - Piece              | Té                         |
| 10      | 900 660 | Drosselscheibe           | D=12 d=12                 | Baffle                 | Etrangleur                 |
| 11      | 900 105 | Hy-Zylinder              | 80/40/55/600              | Hydraulic cylinder     | Verin                      |
| 12      | 900 650 | L-Stück                  | evL-12L vormontiert       | L - Piece              | Té renversé                |
| 13      | 900 510 | Hy-Schlauch              | DN 10 1200 m 18 x 1,5     | Hose                   | Conduite flexible          |
| 14      | 900 653 | Schwenkverschraubung     | 12L M 18 x 1,5            | Swivel union           | Banjo                      |
| 15      | 900 934 | Hy-Zylinder              | 80/40/250/465             | Hydraulic cylinder     | Verin                      |



# Hydraulikplan Quadro 3,00m-5,70m Drillbox

Hydraulic plan Quadro 3,00m  
Plan d'hydraulique Quadro 3,00m

| Pos.Nr. | Art.Nr. | Artikelbezeichnung       | Abmessung                    | Description            | Désignation          |
|---------|---------|--------------------------|------------------------------|------------------------|----------------------|
| 1       | 900 655 | Schnellverschlußkupplung | BG 6 M22x1,5                 | Quick release coupling | Coupleur push - pull |
| 2       | 900 508 | Hy-Schlauch              | 3700 DKOL22x1,5/DKOL M22x1,5 | Hose                   | Conduite flexible    |

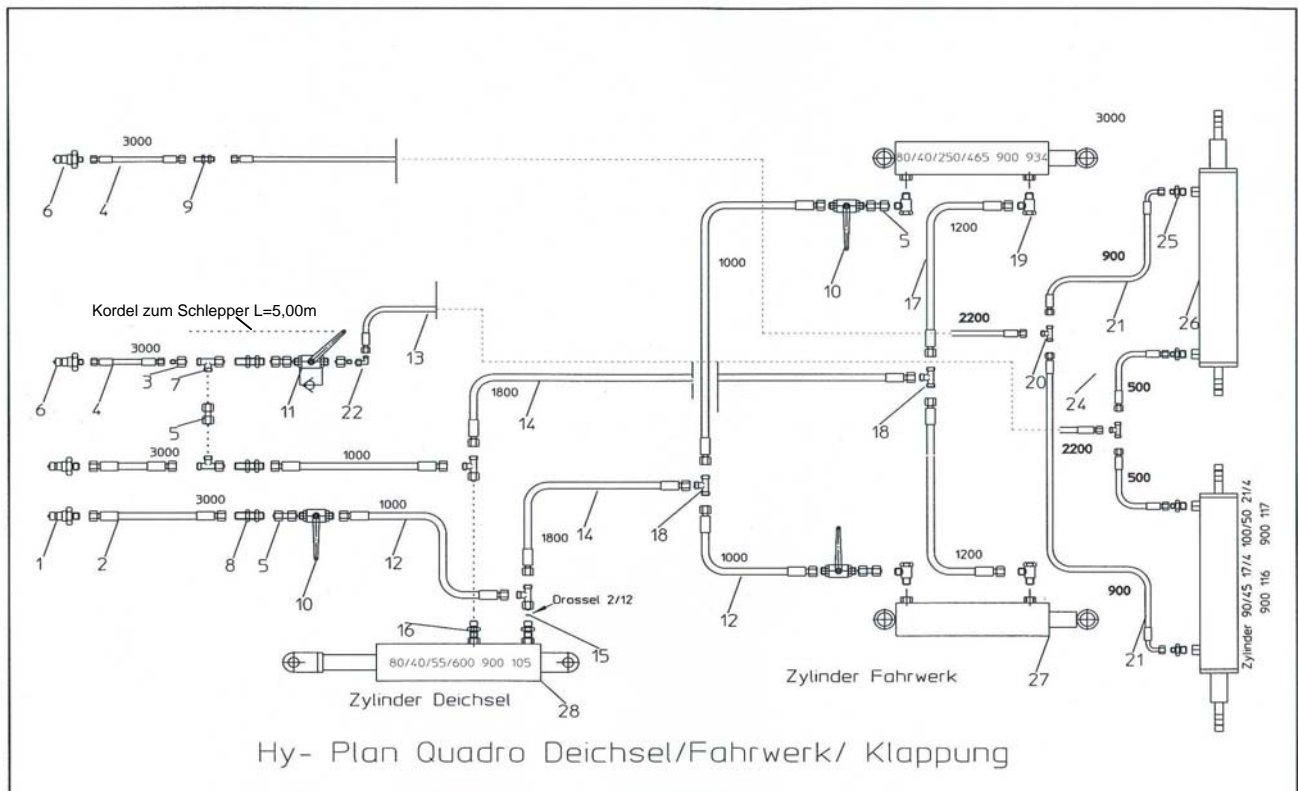


Hy- Plan Drillbox Vario/Quadro  
3-5,7 m

# Hydraulikplan Quadro 4,60m/5,70m

Hydraulic plan Quadro 4,60m/5,70m  
Plan d'hydraulique Quadro 4,60m/5,70m

| Pos.Nr. | Art.Nr. | Artikelbezeichnung      | Abmessung                        | Description            | Désignation                |
|---------|---------|-------------------------|----------------------------------|------------------------|----------------------------|
| 1       | 900 655 | Schnellverschußkupplung | BG 3 M18x1,5                     | Quick release coupling | Coupleur push - pull       |
| 2       | 900 508 | Hy-Schlauch             | DN10-2SN L=3000 M18x1,5          | Hose                   | Conduite flexible          |
| 3       | 900 578 | Reduzierung             | xKOR 12/8                        | Reduction              | Réduction                  |
| 4       | 900 544 | Hy-Schlauch             | DN6-1SN L=3000 M14x1,5           | Hose                   | Conduite flexible          |
| 5       | 900 699 | Doppelnippel            | 12L                              | Double nipple          | Union                      |
| 6       | 900 620 | Schnellverschußkupplung | BG 3 M14x1,5                     | Quick release coupling | Coupleur push - pull       |
| 7       | 900 650 | L-Stück                 | evL-12L vormontiert              | L - Piece              | Té renversé                |
| 8       | 900 656 | Schottverschraubung     | xSV-12L                          | Bulkhead fitting       | Union traversée de cloison |
| 9       | 900 608 | Schottverschraubung     | xSV-8L                           | Bulkhead fitting       | Union traversée de cloison |
| 10      | 900 669 | Kugelhahn               | 12L M18x1,5                      | Ball valve             | Robinet                    |
| 11      | 903 155 | Hubbegrenzer            | 12L                              |                        |                            |
| 12      | 900 504 | Hy-Schlauch             | DN10 L=1000 M18x1,5              | Hose                   | Conduite flexible          |
| 13      | 900 540 | Hy-Schlauch             | DN6-2SC L=2200 M14x1,5           | Hose                   | Conduite flexible          |
| 14      | 902 125 | Hy-Schlauch             | DN10 L=1800 M18x1,5              | Hose                   | Conduite flexible          |
| 15      | 900 660 | Drosselschreibe         | D=12 d=2                         | Baffle                 | Etrangleur                 |
| 16      | 900 678 | Verschraubung           | xGE-12L M18x1,5                  | Thread joint           | Raccord union              |
| 17      | 900 510 | Hy-Schlauch             | DN10 L=1200 M18x1,5              | Hose                   | Conduite flexible          |
| 18      | 900 654 | T-Stück                 | xT 12L                           | T - Piece              | Té                         |
| 19      | 900 653 | Schwenkverschraubung    | 12L M18x1,5                      | Swivel union           | Banjo                      |
| 20      | 900 586 | T-Stück                 | xT-8L                            | T - Piece              | Té                         |
| 21      | 900 530 | Hy-Schlauch             | DN6-2SC L=900 90° M14x1,5        | Hose                   | Conduite flexible          |
| 22      | 900 592 | Winkelverschraubung     | DN6 L=500 90° M14x1,5            | Elbow                  | Coude                      |
| 24      | 900 522 | Hy-Schlauch             | DN6-2SC L500 M14x1,5             | Hose                   | Conduite flexible          |
| 25      | 900 566 | Verschraubung           | xGE-8L M18x1,5                   | Thread joint           | Raccord union              |
| 26      | 900 116 | Hy-Zylinder             | 90/45/500/800 zum Quadro 4,60 m  | Hydraulic cylinder     | Verin                      |
| 26      | 900 117 | Hy-Zylinder             | 100/50/500/800 zum Quadro 5,70 m | Hydraulic cylinder     | Verin                      |
| 27      | 900 934 | Hy-Zylinder             | 80/40/250/465                    | Hydraulic cylinder     | Verin                      |
| 28      | 900 105 | Hy-Zylinder             | 80/40/75/580                     | Hydraulic cylinder     | Verin                      |



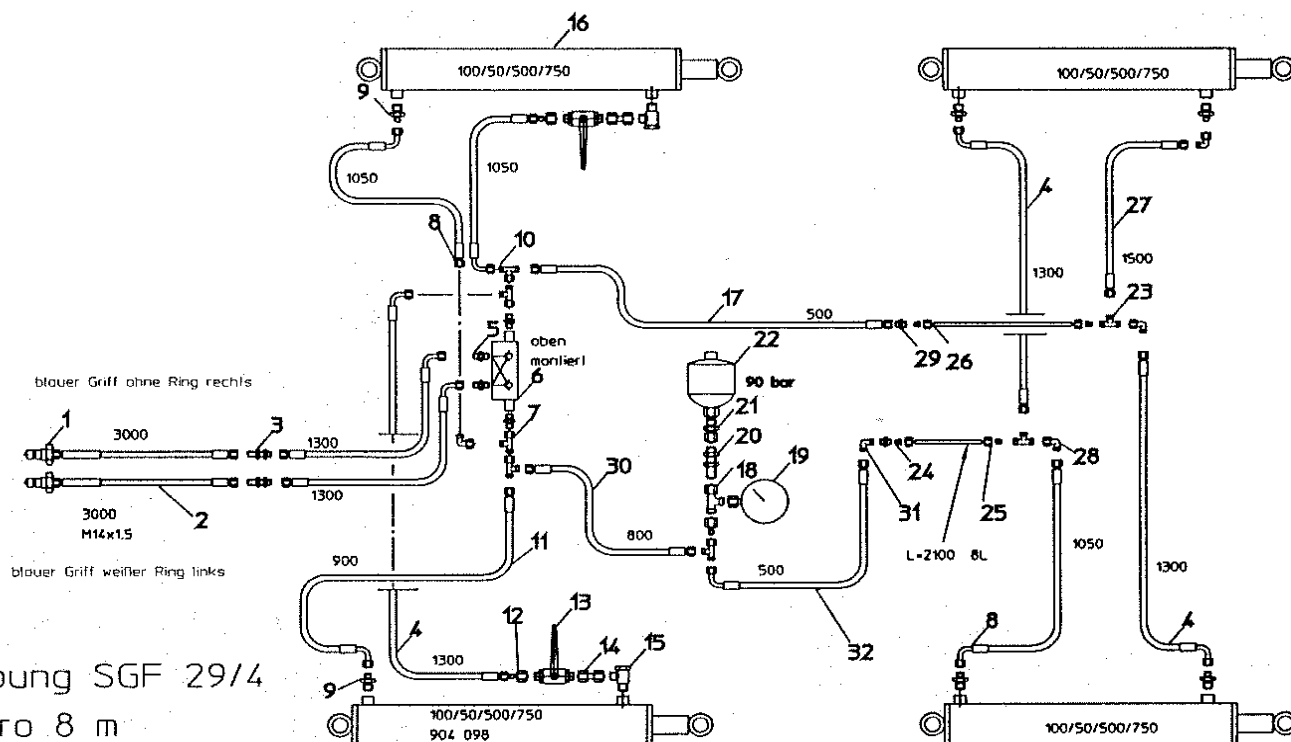




# Hydraulikplan Quadro 8m Klappung

Hydraulik plan Quadro 8m folding  
Plan d'hydraulique Quadro 8m rabattement

| Pos | Art-Nr. | Art-Bezeichnung      | Abmessung                        | Description        | Désignation                |
|-----|---------|----------------------|----------------------------------|--------------------|----------------------------|
| 1   | 902 140 | Hy-Schlauch DN 6-2SC | 3000 Griff blau M14x1,5          | Hose               | Conduite flexible          |
| 2   | 902 138 | Hy-Schlauch DN 6-2SC | 3000 Griff blau, Scheibe M14x1,5 | Hose               | Conduite flexible          |
| 3   | 900 608 | Schottverschraubung  | x SV 8L                          | Bulkhead fitting   | Union traversée de cloison |
| 4   | 900 531 | Hy-Schlauch DN 6-2SC | 1300 DKOL/DKOL M14x1,5 90°       | Hose               | Conduite flexible          |
| 5   | 900 568 | Verschraubung        | x GE-8L 1/4"                     | Thread joint       | Raccord union              |
| 6   | 900 616 | Rückschlagventil     | 1/4" PDP 06/05-G                 | Valve              | Valve                      |
| 7   | 900 604 | L-Stück              | evL 8L vormontiert               | L - Piece          | Té renversé                |
| 8   | 900 532 | Hy-Schlauch DN 62SC  | 1050 DKOL/DKOL M14x1,5 90°       | Hose               | Conduite flexible          |
| 9   | 900 566 | Verschraubung        | x GE 8L M18x1,5                  | Thread joint       | Raccord union              |
| 10  | 900 600 | T-Stück              | xevT 8L vorm.                    | T - Piece          | Té                         |
| 11  | 900 530 | Hy-Schlauch DN 6-2SC | 900 DKOL/DKOL M14x1,5 90°        | Hose               | Conduite flexible          |
| 12  | 900 578 | Reduzierung          | KOR 12/8L                        | Reduction          | Réduction                  |
| 13  | 900 669 | Absperrhahn          | 12 L M18x1,5 vz                  | Ball valve         | Robinet                    |
| 14  | 900 699 | Doppelnippel         | 12L                              | Double nipple      | Union                      |
| 15  | 900 653 | Winkelschwenkversch. | 12L M18x1,5                      | Elbow              | Coude                      |
| 16  | 904 098 | Hy-Zylinder          | 100/50/500/750                   | Hydraulic cylinder | Verin                      |
| 17  | 900 522 | Hy-Schlauch DN6-2SC  | 500 DKOL/DKOL M14x1,5            | Hose               | Conduite flexible          |
| 18  | 900 650 | L-Stück              | evL 12L vormontiert              | L - Piece          | Té renversé                |
| 19  | 900 619 | Manometer            | 0-250bar mit Versch. 12L         | Manoscope          | Manomètre                  |
| 20  | 900 656 | Schottverschraubung  | x SV 12L                         | Bulkhead fitting   | Union traversée de cloison |
| 21  | 900 678 | Verschraubung        | x GE 12L M18x1,5                 | Thread joint       | Raccord union              |
| 22  | 900 675 | Druckspeicher        | 90 bar                           | Accumulator        |                            |
| 23  | 900 586 | T-Stck               | xT 8L                            | T - Piece          | Té                         |
| 24  | 900 560 | Schneidringe         | 8L                               | Compression ring   | Coupante                   |
| 25  | 900 562 | Überwurfmutter       | 8L                               | Union nut          | Ecrout                     |
| 26  | 900 554 | Hy-Rohr              | 8x1,0                            | Hydraulic tube     | Tuyau hydraulique          |
| 27  | 900 536 | Hy-Schlauch DN6-2SC  | 1500 DKOL/DKOL M14x1,5           | Hose               | Conduite flexible          |
| 28  | 900 592 | Winkel               | evW 8L vormontiert               | Elbow              | Coude                      |
| 29  | 900 582 | Verschraubung        | x G 8L                           | Thread joint       | Raccord union              |
| 30  | 900 529 | Hy-Schlauch DN6-2SC  | 800 DKOL/DKOL M14x1,5            | Hose               | Conduite flexible          |
| 31  | 902 107 | Winkel               | xW8L                             | Elbow              | Coude                      |
| 32  | 900 524 | Hy-Schlauch DN6-2SC  | 500 DKOL/DKOL M14x1,5 90°        | Hose               | Conduite flexible          |

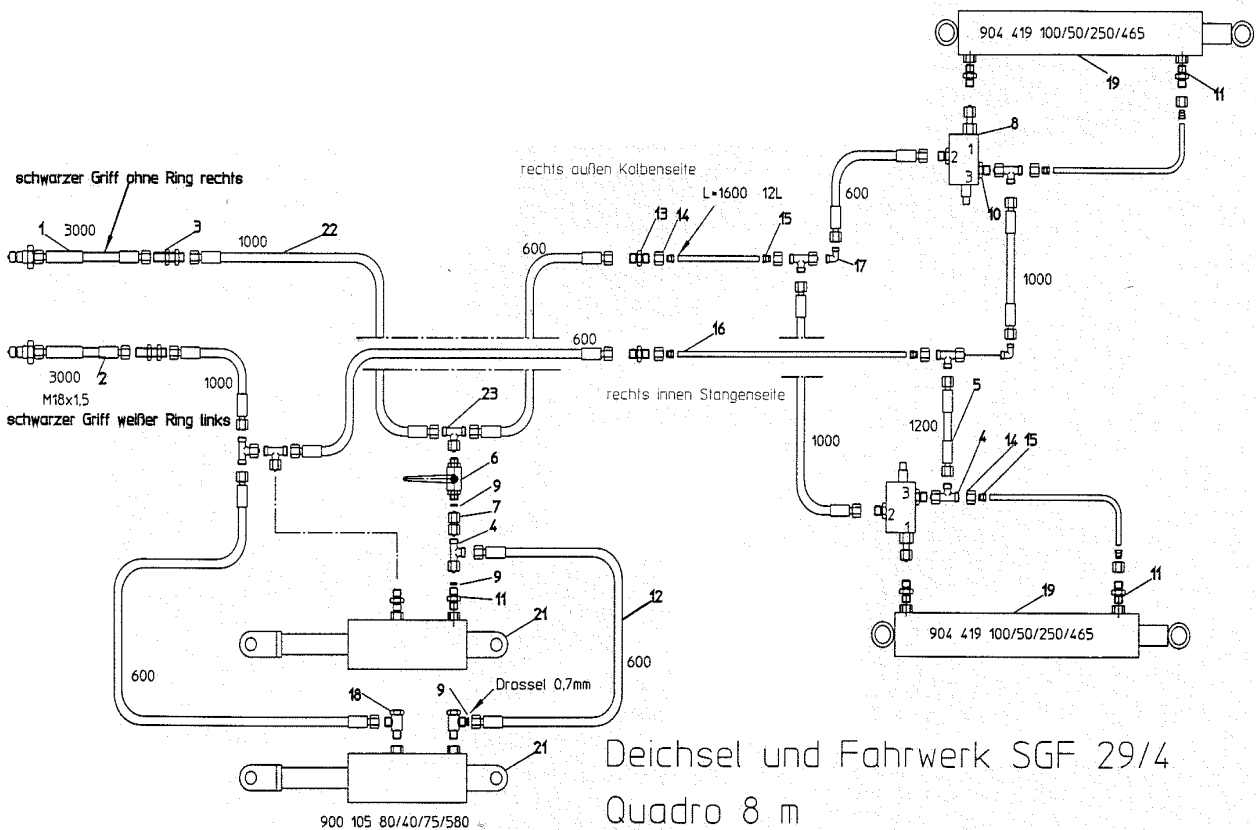




# Hydraulikplan Quadro 8m Deichsel / Fahrwerk

Hydraulik plan Quadro 8m  
Plan d'hydraulique Quadro 8m

| Pos. | Art-Nr. | Art-Bezeichnung      | Abmessung                   | Description        | Désignation                |
|------|---------|----------------------|-----------------------------|--------------------|----------------------------|
| 1    | 902 160 | Hy-Schlauch DN10-2SN | 3000 Griff schwarz M18x1,5  | Hose               | Conduite flexible          |
| 2    | 902 158 | Hy-Schlauch DN10-2SN | 3000 Griff schwarz, Scheibe | Hose               | Conduite flexible          |
| 3    | 900 656 | Schottverschraubung  | x SV 12L                    | Bulkhead fitting   | Union traversée de cloison |
| 4    | 900 650 | L-Stück              | xevL 12L vorm.              | L-Piece            | Té renversé                |
| 5    | 900 510 | Hy-Schlauch DN10-2SN | 1200 DKOL/DKOL M18x1,5      | Hose               | Conduite flexible          |
| 6    | 900 669 | Absperrhahn          | 12L M18x1,5                 | Ball valve         | Robiniet                   |
| 7    | 900 699 | Doppelnippel         | 12L                         | Double nippel      | Grive                      |
| 8    | 903 156 | Senkbremseventil     | m.2x Verschraubung          | Brake valve        |                            |
| 9    | 900 662 | Drosselscheibe       | D=12, d=0,7                 | Baffle             | Etrangleur                 |
| 10   | 900 674 | Verschraubung        | x GE 12L 1/4"               | Thread joint       | Raccord union              |
| 11   | 900 678 | Verschraubung        | x GE 12L M18x1,5            | Thread joint       | Raccord union              |
| 12   | 900 502 | Hy-Schlauch DN10-2SN | 600 DKOL/DKOL M18x1,5       | Hose               | Conduite flexible          |
| 13   | 900 503 | Verschraubung        | x G 12L                     | Thread joint       | Raccord union              |
| 14   | 900 695 | Überwurfmutter       | 12L                         | Union nut          | Raccord union              |
| 15   | 900 696 | Schneidringe         | 12L                         | Cutting ring       | Bague coupante             |
| 16   | 900 556 | Hy-Rohr /m           | 12x1,5                      | Hydraulik tube     | Tuyau hydraulique          |
| 17   | 902 108 | Winkel               | x W12L                      | Angle              | Angle                      |
| 18   | 900 653 | Winkelschwenkversch. | 12L M18x1,5                 | Elbow              | Coude                      |
| 19   | 904 419 | Hy-Zylinder          | 100/50/250/465              | Hydraulic cylinder | Hydraulique cylinder       |
| 21   | 900 105 | Hy-Zylinder          | 80/40/75/580                | Hydraulic cylinder | Hydraulique cylinder       |
| 22   | 900 504 | Hy-Schlauch DN10-2SN | 1000 DKOL/DKOL M18x1,5      | Hose               | Conduite flexible          |
| 23   | 900 652 | T-Stück              | xevT 12L vorm.              | T-Piece            | Té                         |

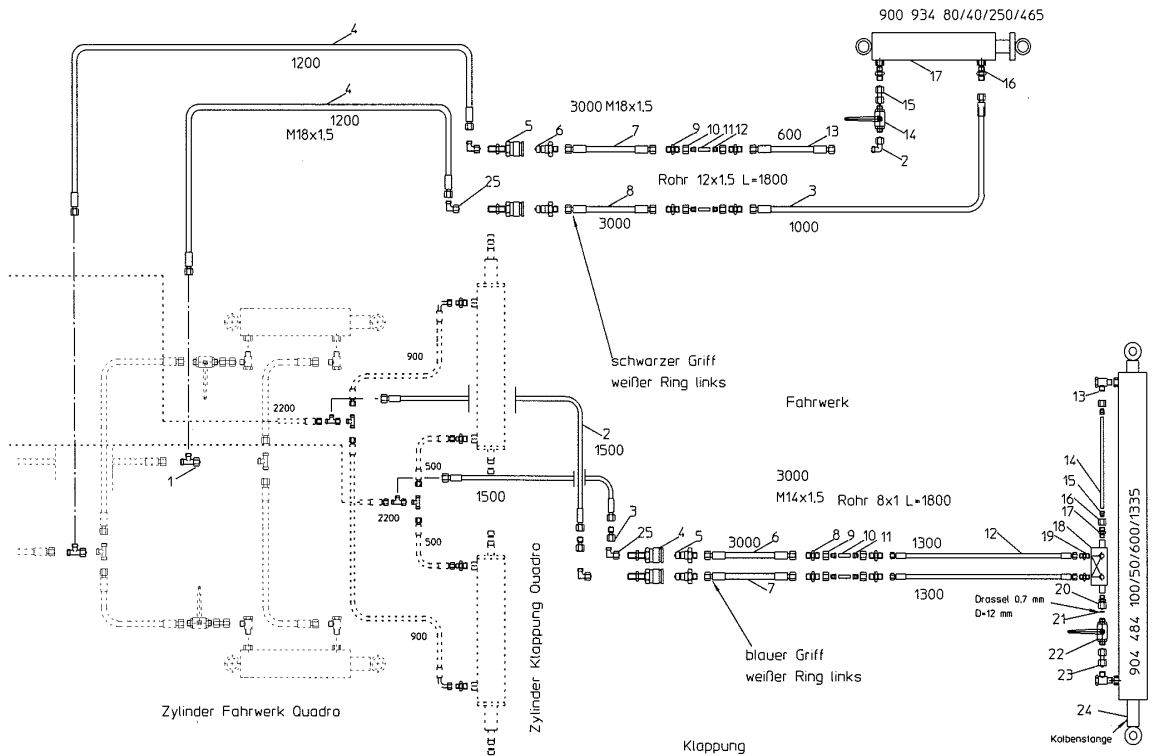


# Hydraulikplan Quadro 4,20m-5,20m CWA Walze Fahrwerk

Hydraulik plan Quadro 4,20m-5,20m CWA

Plan d'hydraulique 4,20m-5,20m CWA

| Pos. | Art-Nr. | Art-Bezeichnung              | Abmessung             | Description            | Désignation          |
|------|---------|------------------------------|-----------------------|------------------------|----------------------|
| 1    | 900 650 | L-Stück                      | x evL 12L vorm.       | L-Piece                | Té-renversé          |
| 2    | 900 651 | Winkelverschraubung          | evW 12L vorm.         | Angle                  | Angle                |
| 3    | 900 504 | Hy-Schlauch DN10-2SN         | 1000 M18x1,5          | Hose                   | Conduite flexible    |
| 4    | 900 510 | Hy-Schlauch DN10-2SN         | 1200 M18x1,5          | Hose                   | Conduite flexible    |
| 5    | 900 657 | Zylinderverschraubung        | BG 3 M18x1,5 schott   | Quick release coupling | Coupleur push - pull |
| 6    | 900 655 | Schnellverschlusstecker      | BG 3 M18x1,5          | Quick release plug     | Coupleur rapide mâle |
| 7    | 902 160 | Hy-Schlauch DN10-2SN schwarz | 3000 M18x1,5, Stecker | Hose                   | Conduite flexible    |
| 8    | 902 158 | Hy-Schlauch DN10-2SN schwarz | 3000 M18x1,5 Scheibe  | Hose                   | Conduite flexible    |
| 9    | 900 503 | Verschraubung                | x G12L                | Thread joint           | Raccord union        |
| 10   | 900 695 | Überwurfmutter               | M12L                  | Union nut              | Raccord union        |
| 11   | 900 556 | Hy-Rohr/m                    | M12x1,5               | Hydraulic tube         | Tuyau hydraulique    |
| 12   | 900 696 | Schneidring                  | 12L                   | Cutting ring           | Bague coupante       |
| 13   | 900 502 | Hy-Schlauch DN10-2SN         | 600 M18x1,5           | Hose                   | Conduite flexible    |
| 14   | 900 669 | Absperrhahn                  | 12L M18x1,5           | Ball valve             | Robinet              |
| 15   | 900 699 | Doppelnippel                 | 12L                   | Double nippel          | Grive                |
| 16   | 900 566 | Verschraubung Zylinder       | x GE 8L M18x1,5       | Thread joint           | Raccord union        |
| 17   | 900 934 | Hy-Zylinder                  | 80/40/250/465         | Hydraulic cylinder     | Hydraulique cylinder |



HY Plan Fahrwerk/Klappung CWA 6 m für Quadro 5,7 m

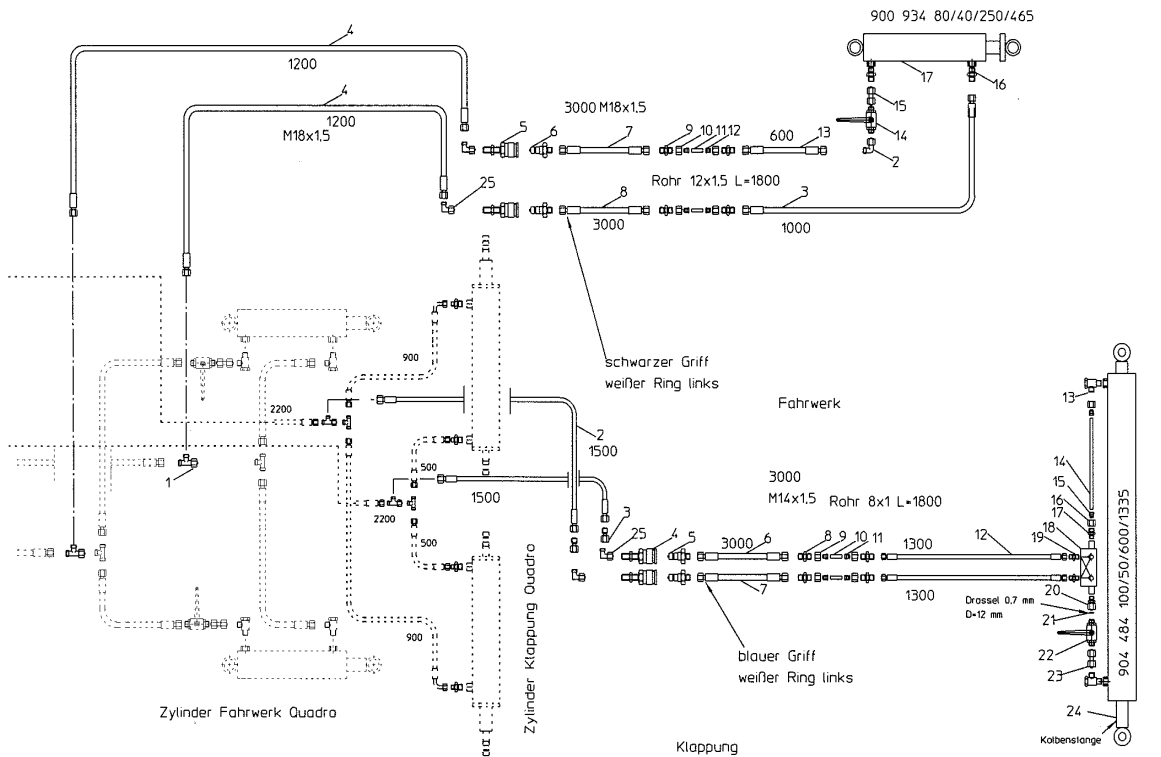
Kolbenstange in Fahrtrichtung links

# Hydraulikplan Quadro 4,20m-5,20m CWA Walze Klappung

Hydraulik plan Quadro 4,20m-5,20m CWA

Plan d'hydraulique 4,20m-5,20m CWA

| Pos. | Art-Nr. | Art-Bezeichnung            | Abmessung            | Description            | Désignation          |
|------|---------|----------------------------|----------------------|------------------------|----------------------|
| 1    | 900 600 | L-Stück                    | x evL 8L vorm.       | L-Piece                | Té renversé          |
| 2    | 900 536 | Hy-Schlauch DN6-2SC        | 1500 M14x1,5         | Hose                   | Conduite flexible    |
| 3    | 900 578 | Reduzierung                | Kor 12/8L            | Reduction              | Réduction            |
| 4    | 900 657 | Zylinderverschraubung      | BG3 M18x1,5 schott   | Quick release coupling | Coupleur push - pull |
| 5    | 900 620 | Schnellverschlußstecker    | BG3 M14x1,5          | Quick release plug     | Coupleur rapide mâle |
| 6    | 902 140 | Hy-Schlauch DN6-2SC blau   | 3000 M14x1,5 Stecker | Hose                   | Conduite flexible    |
| 7    | 902 138 | Hy-Schlauch DN6-2SC blau   | 3000 M14x1,5 Scheibe | Hose                   | Conduite flexible    |
| 8    | 900 582 | Verschraubung gerade       | x G8L                | Thread joint           | Raccord union        |
| 9    | 900 562 | Überwurfmutter             | 8L M14x1,5           | Union nut              | Raccord union        |
| 10   | 900 554 | Hy-Rohr/m                  | 8x1,0                | Hydraulic tube         | Tuyau hydraulique    |
| 11   | 900 560 | Schneidring                | 8L                   | Cutting ring           | Bague coupante       |
| 12   | 900 531 | Hy-Schlauch DN6-2SC        | 1300 M14x1,5 90°     | Hose                   | Conduite flexible    |
| 13   | 900 653 | Winkelschwenkverschraubung | 12L M18x1,5          | swivel union           |                      |
| 14   | 900 556 | Hy-Rohr/m                  | M12x1,5              | Hydraulic tube         | Tuyau hydraulique    |
| 15   | 900 696 | Schneidring                | 12L                  | Cutting ring           | Bague coupante       |
| 16   | 900 695 | Überwurfmutter             | 12L                  | Union nut              | Raccord union        |
| 17   | 900 674 | Zylinderverschraubung      | x GE12L 1/4"         | Thread joint           | Raccord union        |
| 18   | 900 616 | Rückschlagventil           | RDP 1/4" 06/05-G     | Valve                  | Valve                |
| 19   | 900 568 | Zylinderverschraubung      | x GE 8L 1/4"         | Thread joint           | Raccord union        |
| 20   | 900 685 | Einschraubstützen gerade   | evGE 12L 1/4" ED     |                        |                      |
| 21   | 900 664 | Drosselscheibe             | D=12, d=6mm          | Baffle                 | Etrangleur           |
| 22   | 900 669 | Absperrhahn                | 12L 18x1,5           | Ball valve             | Robinet              |
| 23   | 900 699 | Doppelnippel               | 12L 18x1,5           | Double nippel          | Grive                |
| 25   | 900 651 | Winkel                     | evW 12L vorm.        | Angle                  | Angle                |
| 24   | 904 482 | Hy-Zylinder                | 80/50/600/1135       | Hydraulic cylinder     | Hydraulique cylinder |

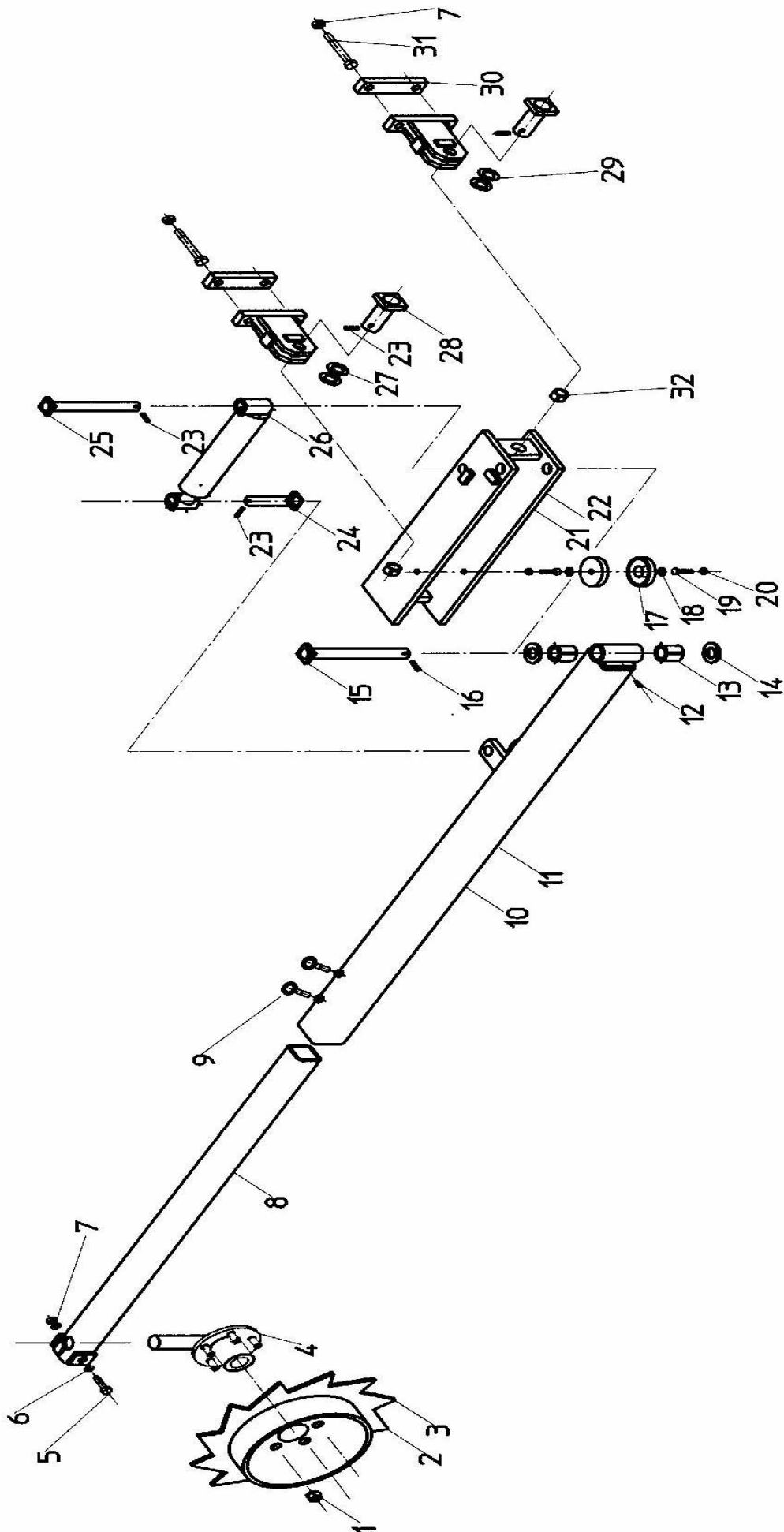


HY Plan Fahrwerk/Klappung CWA 6 m  
für Quadro 5,7 m

Kolbenstange in Fahrtrichtung links

# Spuranzeiger

Tram liner  
Traceur



# Spuranzeiger

Tram liner

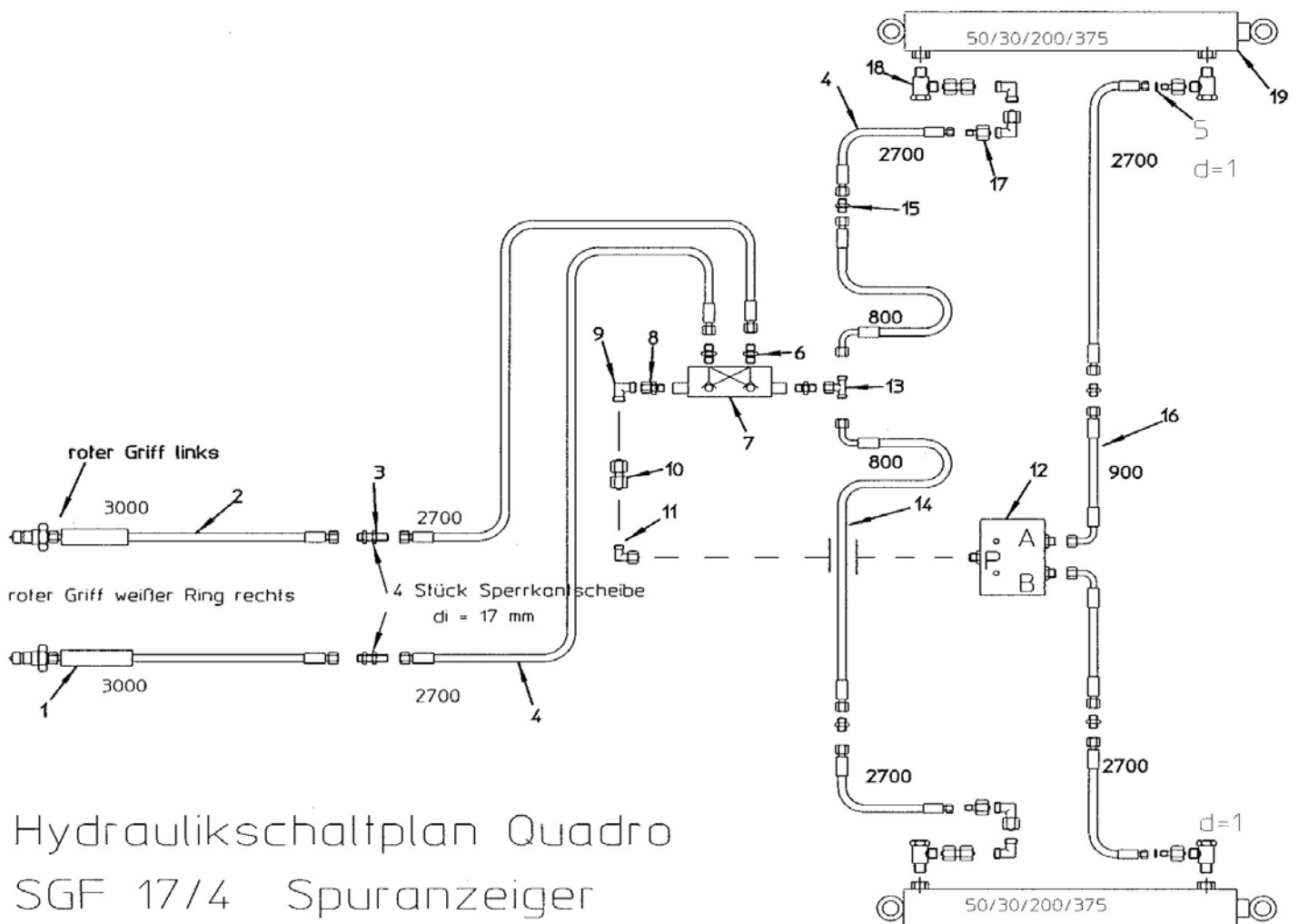
Traceur

| Pos.Nr. | Art.Nr. | Artikelbezeichnung                             | Pos.Nr. | Art.Nr. | Artikelbezeichnung               |
|---------|---------|--|---------|---------|----------------------------------|
| 1       | 900 377 | Radmutter M14x1,5mm                            | 17      | 904 016 | Auflagescheibe                   |
| 1       | 900 377 | Nut M14 x 1,5mm                                | 17      | 904 016 | Washer                           |
| 1       | 900 377 | Ecrou de roue M14 x 1,5mm                      | 17      | 904 016 | Rondelle                         |
| 2       | 631 600 | Zahnscheibe links                              | 18      | 901 758 | U-Scheibe 10,5 mm                |
| 2       | 631 600 | Disc with tooth profile left                   | 18      | 901 758 | Washer                           |
| 2       | 631 600 | Disque cranté gauche                           | 18      | 901 758 | Rondelle                         |
| 3       | 631 604 | Zahnscheibe rechts                             | 19      | 901 743 | Sechskantschraube M10x40mm       |
| 3       | 631 604 | Disc with tooth profile right                  | 19      | 901 743 | Bolt M10 x 40mm                  |
| 3       | 631 604 | Disque cranté droite                           | 19      | 901 743 | Vis M10 x 40mm                   |
| 4       | 631 610 | Achsstummel für Zahnscheibe                    | 20      | 901 617 | Sechskantmutter M10              |
| 4       | 631 610 | Stub axl assembly                              | 20      | 901 617 | Nut M10                          |
| 4       | 631 610 | Essieu   | 20      | 901 617 | Ecrou M10                        |
| 5       | 901 554 | Sechskantschraube M16x100mm                    | 21      | 080 926 | Spuranzeigerkonsole rechts       |
| 5       | 901 554 | Bolt M16 x 100mm                               | 21      | 080 926 | Support for tram liner right     |
| 5       | 901 554 | Vis M16 x 100mm                                | 21      | 080 926 | Support de trasseur droite       |
| 6       | 901 628 | Sperrkantscheibe 16 mm                         | 22      | 080 924 | Spuranzeigerkonsole links        |
| 6       | 901 628 | Locking washes                                 | 22      | 080 924 | Support for tram liner left      |
| 6       | 901 628 | Rondelle                                       | 22      | 080 924 | Support de trasseur gauche       |
| 7       | 901 620 | Sechskantmutter M16                            | 23      | 901 778 | Spannstift 8x40mm                |
| 7       | 901 620 | Nut M16  | 23      | 901 778 | Roll pin 8 x 40mm                |
| 7       | 901 620 | Ecrou M16                                      | 23      | 901 778 | Goupille creuse 8 x 40mm         |
| 8       | 631 660 | Einschubrohr 60x60mm Spuranzeiger AT 600       | 24      | 903 074 | Bolzen D=25x81x106mm             |
| 8       | 631 660 | Tube 60 x 60mm tram liner AT 600               | 24      | 903 074 | Pin D=25 x 81x106mm              |
| 8       | 631 660 | Tuyau 60 x 60mm trasseur AT600                 | 24      | 903 074 | Broche D=25 x 81x106mm           |
| 8       | 087 370 | Einschubrohr 60x60mm Spuranzeiger Ultima 6,00m | 25      | 903 161 | Bolzen D=25x151x176mm            |
| 8       | 087 370 | Tube 60 x 60mm tram liner Ultima 6,00m         | 25      | 903 161 | Pin D=25 x 151x176mm             |
| 8       | 087 370 | Tuyau 60 x 60mm trasseur Ultima 6,00m          | 25      | 903 161 | Broche D=25 x 151x176mm          |
| 9       | 900 222 | Ringschraube M16x70mm                          | 26      | 900 111 | HY Zylinder 50/30/200/375        |
| 9       | 900 222 | Bolt M16 x 70mm                                | 26      | 900 111 | Hydraulic cylinder 50/30/200/375 |
| 9       | 900 222 | Vis M16 x 70mm                                 | 26      | 900 111 | Verin 50/30/200/375              |
| 10      | 080 922 | Spuranzeigerarm rechts                         | 27      | 901 674 | Tellerfeder 25 mm                |
| 10      | 080 922 | Arm for tram liner right                       | 27      | 901 674 | Bevelle washer 25mm              |
| 10      | 080 922 | Bras de trasseur droit                         | 27      | 901 674 | Rondelle ressorts 25mm           |
| 11      | 080 920 | Spuranzeigerarm links                          | 28      | 903 053 | Bolzen D=25x57x87mm              |
| 11      | 080 920 | Arm for tram liner left                        | 28      | 903 053 | Pin D=25 x 57x87mm               |
| 11      | 080 920 | Bras de trasseur gauche                        | 28      | 903 053 | Broche D=25 x 57x87mm            |
| 12      | 506 435 | Schmiernippel                                  | 29      | 080 928 | Spuranzeigeraufnahme             |
| 12      | 506 435 | Grease nippel                                  | 29      | 080 928 |                                  |
| 12      | 506 435 | Graisseur                                      | 29      | 080 928 |                                  |
| 13      | 900 984 | Einspannbuchse 28/35/28                        | 30      | 630 400 | Brücke 40x20x157mm               |
| 13      | 900 984 | Bush 28/35/28                                  | 30      | 630 400 | Plate 40x20x157mm                |
| 13      | 900 984 | Bague ressort 28/35/28                         | 30      | 630 400 | Plaque 40x20x157mm               |
| 14      | 901 677 | Tellerfeder 28 mm                              | 31      | 901 728 | Sechskantschraube M16x150mm      |
| 14      | 901 677 | Bevelle washer                                 | 31      | 901 728 | Bolt M16 x 150mm                 |
| 14      | 901 677 | Rondelle ressorts                              | 31      | 901 728 | Vis M16 x 150mm                  |
| 15      | 903 086 | Bolzen D=28x150x175mm                          | 32      | 900 193 | Einspannbuchse 25/30/20          |
| 15      | 903 086 | Pin D=28 x 150x175mm                           | 32      | 900 193 | Bush 25/30/20                    |
| 15      | 903 086 | Broche D=28x 150x175mm                         | 32      | 900 193 | Bague ressort 25/30/20           |
| 16      | 901 780 | Spannstift 8x50                                |         |         |                                  |
| 16      | 901 780 | Roll pin                                       |         |         |                                  |
| 16      | 901 780 | Goupille creuse                                |         |         |                                  |

# Hydraulikplan Quadro 8m Klappung

Hydraulik plan Quadro 8m folding  
Plan d'hydraulique Quadro 8m rabattement

| Pos | Art-Nr. | Art-Bezeichnung      | Abmessung                        | Description        | Désignation                |
|-----|---------|----------------------|----------------------------------|--------------------|----------------------------|
| 1   | 902142  | Hy-Schlauch DN 6-2SC | 3000 Griff rot, Scheibe, Stecker | Hose               | Conduite flexible          |
| 2   | 902144  | Hy-Schlauch DN 6-2SC | 3000 Griff rot, Stecker          | Hose               | Conduite flexible          |
| 3   | 900 608 | Schottverschraubung  | x SV 8L                          | Bulkhead fitting   | Union traversée de cloison |
|     | 901628  | Sperrkantscheibe     | 17mm                             | Washer             | Rondelle                   |
| 4   | 900542  | Hy-Schlauch DN 6-2SC | 2700D KOL/DKOL M14x1,5           | Hose               | Conduite flexible          |
| 5   | 900664  | Drosselscheibe       | D=8, d=1                         |                    |                            |
| 6   | 900 568 | Verschraubung        | x GE-8L 1/4"                     | Thread joint       | Raccord union              |
| 7   | 900 616 | Rückschlagventil     | 1/4" PDP 06/05-G                 | Valve              | Valve                      |
| 8   | 900685  | Verschraubung        | evGE 12L 1/4" ED                 | Thread joint       | Raccord union              |
| 9   | 902108  | Winkel               | xW 12L                           | Elbow              | Coude                      |
| 10  | 900 699 | Doppelnippel         | 12L                              | Double nipple      | Union                      |
| 11  | 900651  | Winkel               | evW 12L vormontiert              | Elbow              | Coude                      |
| 12  | 900630  | Sequenzventil        |                                  | Valve              | Valve                      |
| 13  | 900 600 | T-Stück              | xevT 8L vorm.                    | T - Piece          | Té                         |
| 14  | 900528  | Hy-Schlauch DN 6-2SC | 800 DKOL/DKOL M14x1,5 90°        | Hose               | Conduite flexible          |
| 15  | 900 582 | Verschraubung        | x G 8L                           | Thread joint       | Raccord union              |
| 16  | 900 530 | Hy-Schlauch DN 6-2SC | 900 DKOL/DKOL M14x1,5 90°        | Hose               | Conduite flexible          |
| 17  | 900 578 | Reduzierung          | KOR 12/8L                        | Reduction          | Réduction                  |
| 18  | 900 653 | Winkelschwenkversch. | 12L M18x1,5                      | Elbow              | Coude                      |
| 19  | 900111  | Hy-Zylinder          | 50/30/200/375/ 90°               | Hydraulic cylinder | Verin                      |





 **KÖCKERLING**

GmbH & Co. KG

Lindenstr. 11-13

33415 Verl

Tel.: +49 5246 9608 0

Fax: +49 5246 9608 21

e-mail: [info@koeckerling.de](mailto:info@koeckerling.de)

Internet: [www.koeckerling.de](http://www.koeckerling.de)

